

| Fig. N. | Part. N. Piece N. | Qt. |
|---------|-------------------|-----|
| 1 | 741937-2-00 | 5 |
| 2 | 211412-0-00 | 1 |
| 3 | 211413-0-00 | 1 |
| 4 | 211418-0-00 | 1 |
| 5 | 211416-0-00 | 1 |
| 6 | 211690-0-00 | 1 |
| 7 | 703405-0-00 | 2 |
| 8 | 725032-0-00 | 2 |
| 9 | 211019-0-00 | 1 |
| 10 | 211016-0-01 | 1 |
| 11 | 741967-2-00 | 20 |
| 12 | 211056-0-00 | 1 |
| 13 | 209389-0-00 | 1 |
| 14 | 211017-0-01 | 1 |
| 15 | 211018-0-00 | 1 |
| 16 | 207893-0-00 | 10 |
| 17 | 311067-0-00 | 1 |
| 18 | 209417-0-00 | 1 |
| 19 | 745810-2-00 | 1 |
| 20 | 745002-0-00 | 1 |
| 21 | 203135-2-10 | 1 |
| 22 | 211745-0-00 | 1 |
| 23 | 211741-0-00 | 1 |
| 24 | 741657-0-00 | 1 |
| 25 | 209760-0-00 | 2 |
| 26 | 206740-0-00 | 2 |
| 27 | 783200-0-00 | 1 |
| 28 | 211054-0-00 | 1 |
| 29 | 211020-0-00 | 1 |
| 30 | 211123-0-00 | 3 |
| 31 | 704106-2-00 | 1 |
| 32 | 211746-0-00 | 1 |
| 33 | 743547-2-00 | 1 |
| 34 | 208220-0-00 | 1 |
| 35 | 704630-0-00 | 1 |
| 36 | 209022-0-00 | 1 |
| 37 | 211055-0-00 | 1 |

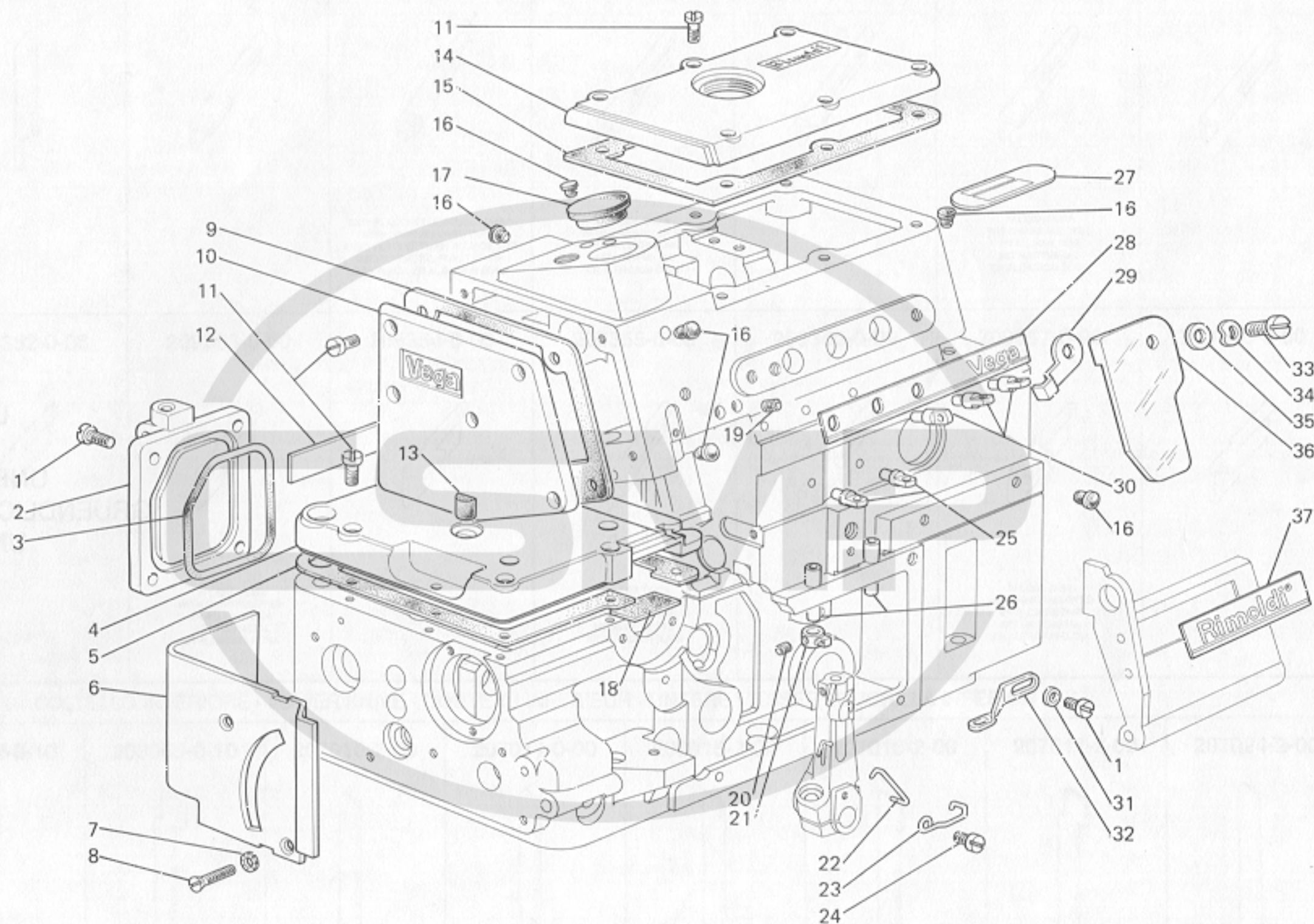


TAVOLA PER PIAZZAMENTO NORMALE
 TABLE FOR NORMAL SETTING
 TABLE POUR PLACEMENT NORMAL
 SCHNITT FUER NORMAL AUFSTELLUNG
 MESA PARA COLOCACION NORMAL

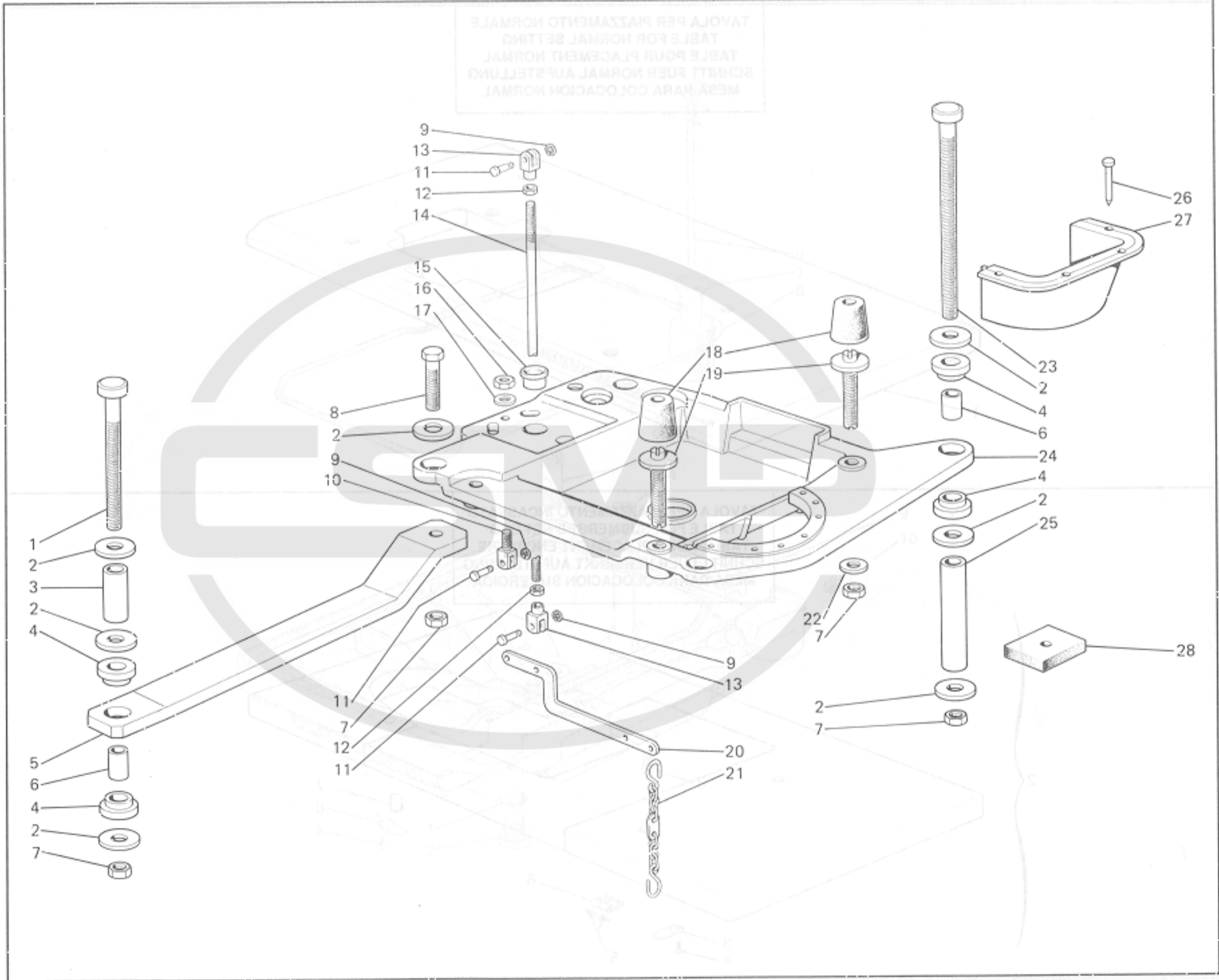


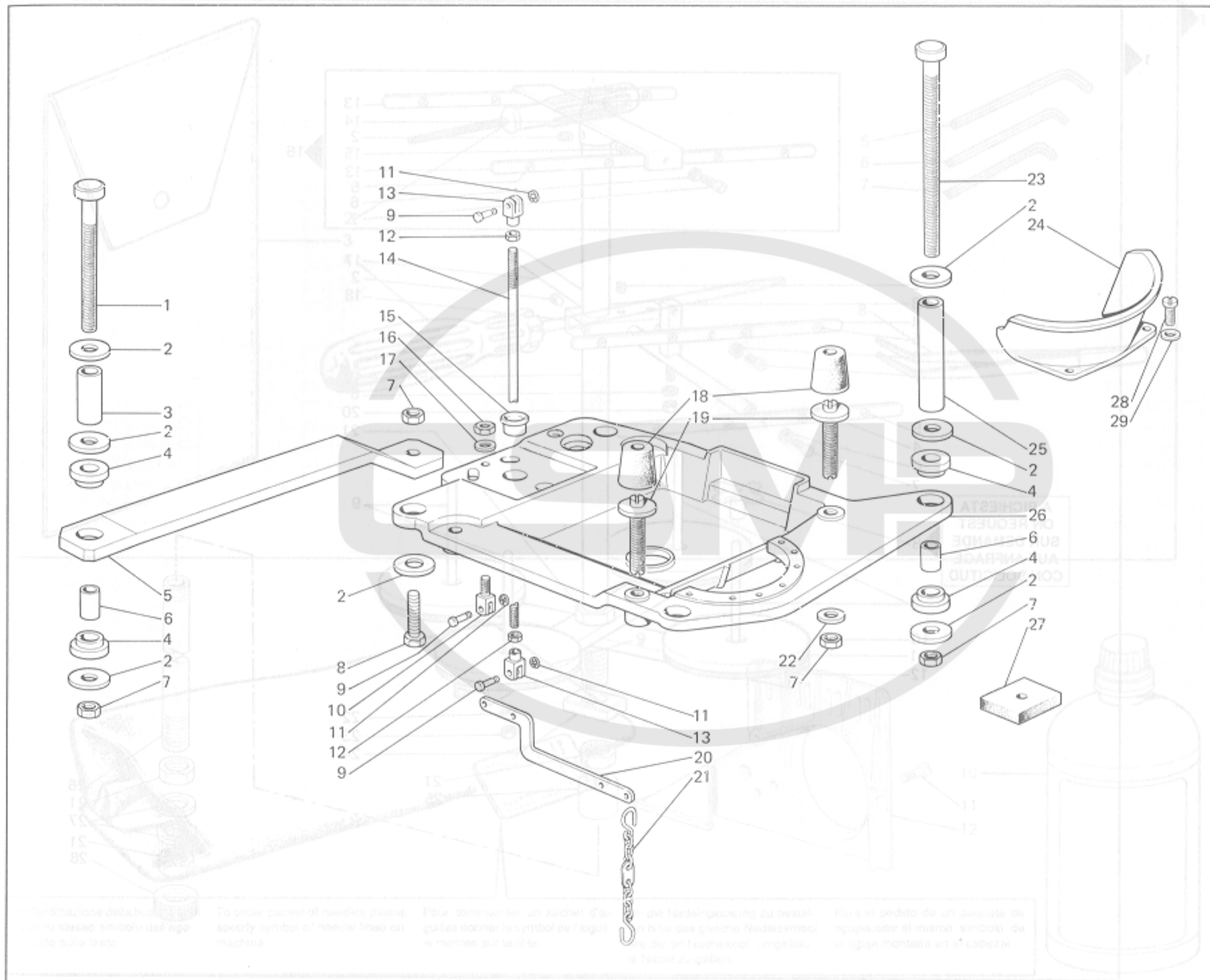
TAVOLA PER PIAZZAMENTO INCASSATO
 TABLE FOR SUBMERGED SETTING
 TABLE POUR PLACEMENT ENCASTRE
 SCHNITT FUER VERSENKT AUFSTELLUNG
 MESA PARA COLOCACION SUMERGIDA



| Fig. N. | Part. N. Piece N. | Qt. |
|---------|-------------------|-----|
| 1 | 901112-2-01 | 1 |
| 2 | 901113-4-01 | 1 |
| 3 | 900288-0-00 | 1 |
| 4 | 732425-0-00 | 4 |
| 5 | 732429-0-00 | 12 |
| 6 | 900285-0-00 | 3 |
| 7 | 900286-0-00 | 1 |
| 8 | 900249-0-00 | 1 |

| Fig. N. | Part. N. Piece N. | Qt. |
|---------|----------------------|-----|
| 1 | 722912-2-00 | 2 |
| 2 | 704346-2-00 | 14 |
| 3 | 901152-0-00 | 2 |
| 4 | 901101-0-00 | 8 |
| 5 | 901151-0-00 | 2 |
| 6 | 901102-0-00 | 4 |
| 7 | 733008-2-00 | 10 |
| 8 | 720546-2-00 | 2 |
| 9 | 700205-0-00 | 3 |
| 10 | 990314-0-10 | 1 |
| 11 | 990311-0-10 | 3 |
| 12 | 746402-2-00 | 2 |
| 13 | 990310-0-10 | 2 |
| 14 | 990312-0-10 | 1 |
| 15 | 900204-0-10 | 1 |
| 16 | 746409-2-00 | 1 |
| 17 | 704424-2-00 | 1 |
| 18 | 990988-0-00 | 4 |
| 19 | 900694-0-11 | 4 |
| 20 | 991349-0-00 | 1 |
| 21 | 990179-4-11 | 1 |
| 22 | 704013-2-00 | 4 |
| 23 | 722920-2-00 | 2 |
| 24 | 991750-0-01 | 1 |
| 25 | 901153-0-00 | 2 |
| 26 | M488972020 | |
| 27 | 991187-0-01 | 1 |
| 28 | 900203-0-10 | 4 |





| Fig. N. | Part. N. / Piece N. | Qt. |
|---------|---------------------|-----|
| 1 | 722912-2-00 | 2 |
| 2 | 704346-2-00 | 14 |
| 3 | 901152-0-00 | 2 |
| 4 | 901101-0-00 | 8 |
| 5 | 901151-0-00 | 2 |
| 6 | 901102-0-00 | 4 |
| 7 | 733008-2-00 | 10 |
| 8 | 720546-2-00 | 2 |
| 9 | 990311-0-10 | 3 |
| 10 | 990314-C-10 | 1 |
| 11 | 700205-0-00 | 3 |
| 12 | 746402-2-00 | 2 |
| 13 | 990310-C-10 | 2 |
| 14 | 990312-0-10 | 1 |
| 15 | 900204-0-10 | 1 |
| 16 | 746409-2-00 | 1 |
| 17 | 704424-2-00 | 1 |
| 18 | 990988-0-00 | 4 |
| 19 | 900694-0-11 | 4 |
| 20 | 991349-0-00 | 1 |
| 21 | 990179-4-11 | 1 |
| 22 | 704013-2-00 | 4 |
| 23 | 722920-2-00 | 2 |
| 24 | 991188-0-02 | 1 |
| 25 | 901153-0-00 | 2 |
| 26 | 991750-0-01 | 1 |
| 27 | 900203-0-10 | 4 |
| 28 | 721475-2-00 | 2 |
| 29 | 704409-2-00 | 2 |

Per l'ordinazione della sfilatura, specificare lo stesso simbolo dell'ago montato sulla macchina.

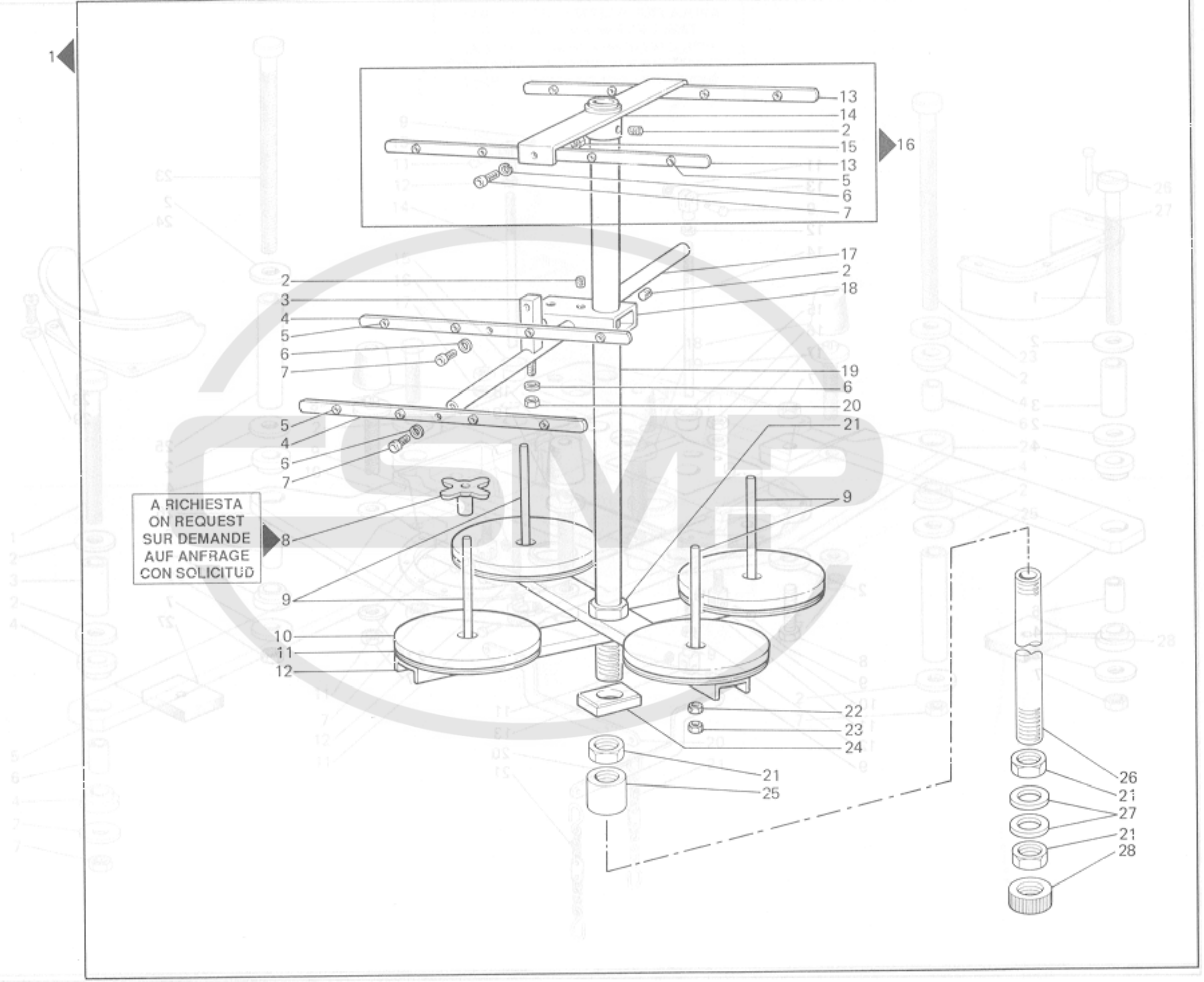
To order packet of needles please specify symbol of needle fitted on machine.

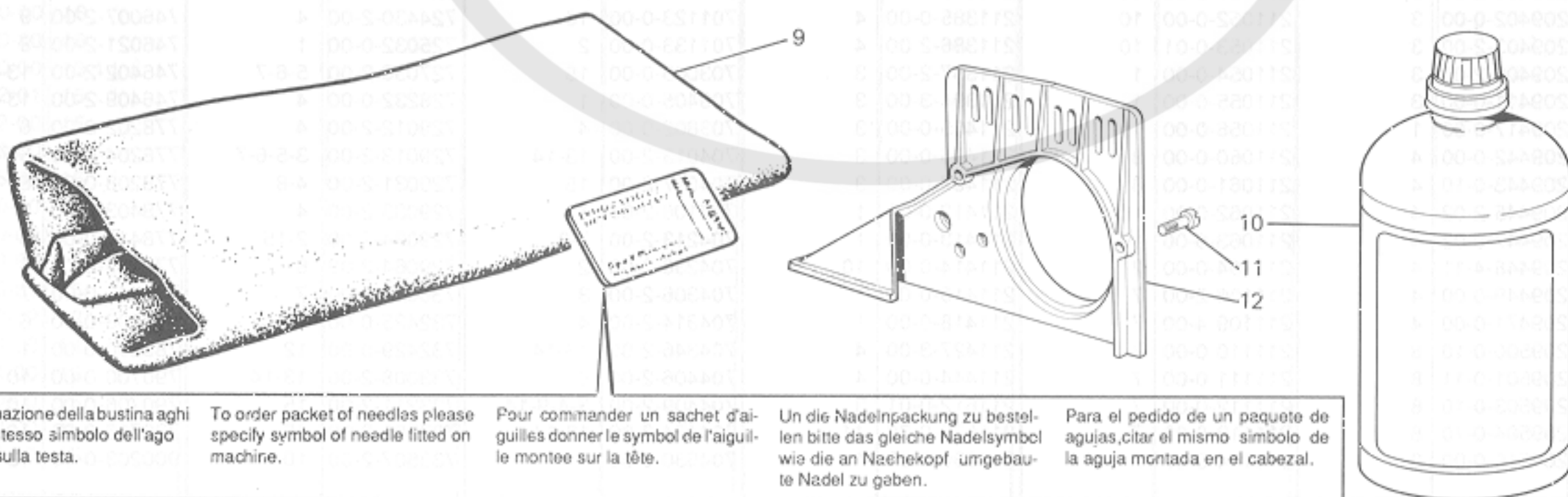
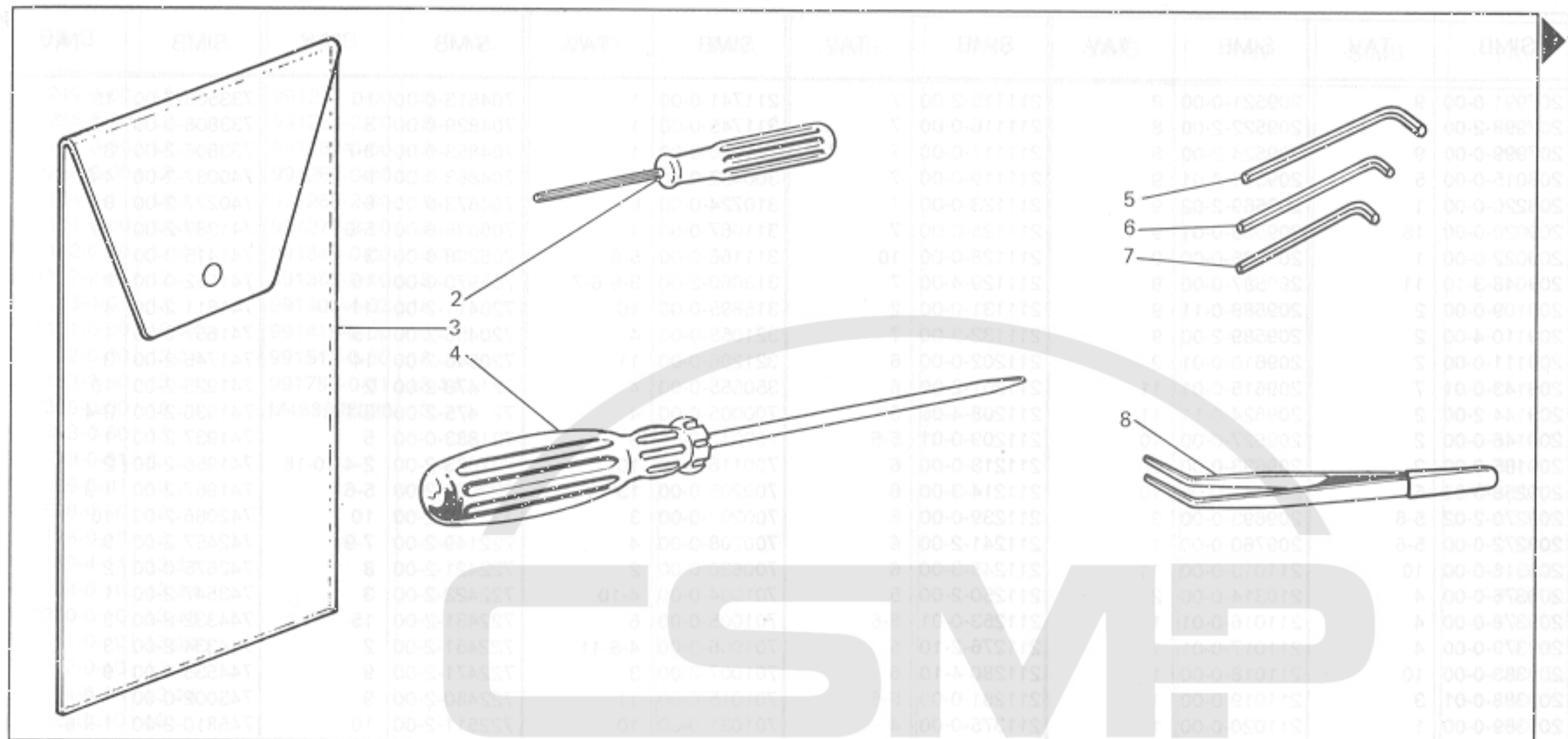
Pour commander un sachet d'aiguilles donner le symbole de l'aiguille montée sur la tête.

Für die Nadelbestellung zu bestellen bitte das gleiche Nadel-symbol angeben wie ein frischer auf dem Nähfuß zu geben.

Para el pedido de un paquete de agujas, dar el mismo símbolo de la aguja montada en el cabezal.

| Fig. N. | Part. N. / Piece N. | Qt. |
|---------|---------------------|-----|
| 1 | 991120-5-02 | 1 |
| 2 | 729034-2-00 | 3 |
| 3 | 991269-2-00 | 1 |
| 4 | 991108-2-01 | 2 |
| 5 | 991268-0-00 | 16 |
| 6 | 703005-0-00 | 5 |
| 7 | 722431-2-00 | 4 |
| 8 | 991134-0-00 | 4 |
| 9 | 991111-2-00 | 4 |
| 10 | 991179-0-01 | 4 |
| 11 | 991112-0-00 | 4 |
| 12 | 991199-0-00 | 2 |
| 13 | 991126-0-10 | 2 |
| 14 | 991247-2-00 | 1 |
| 15 | 733505-2-00 | 2 |
| 16 | 991194-4-00 | 1 |
| 17 | 991264-2-00 | 1 |
| 18 | 991279-2-00 | 1 |
| 19 | 991206-0-00 | 1 |
| 20 | 733806-0-00 | 1 |
| 21 | 733211-2-00 | 4 |
| 22 | 733508-2-00 | 4 |
| 23 | 925433-0-00 | 4 |
| 24 | 991172-0-00 | 2 |
| 25 | 991219-0-00 | 1 |
| 26 | 991267-0-00 | 1 |
| 27 | 704017-2-00 | 2 |
| 28 | 991383-0-10 | 1 |





Per l'ordinazione della bustina aghi citare lo stesso simbolo dell'ago montato sulla testa.

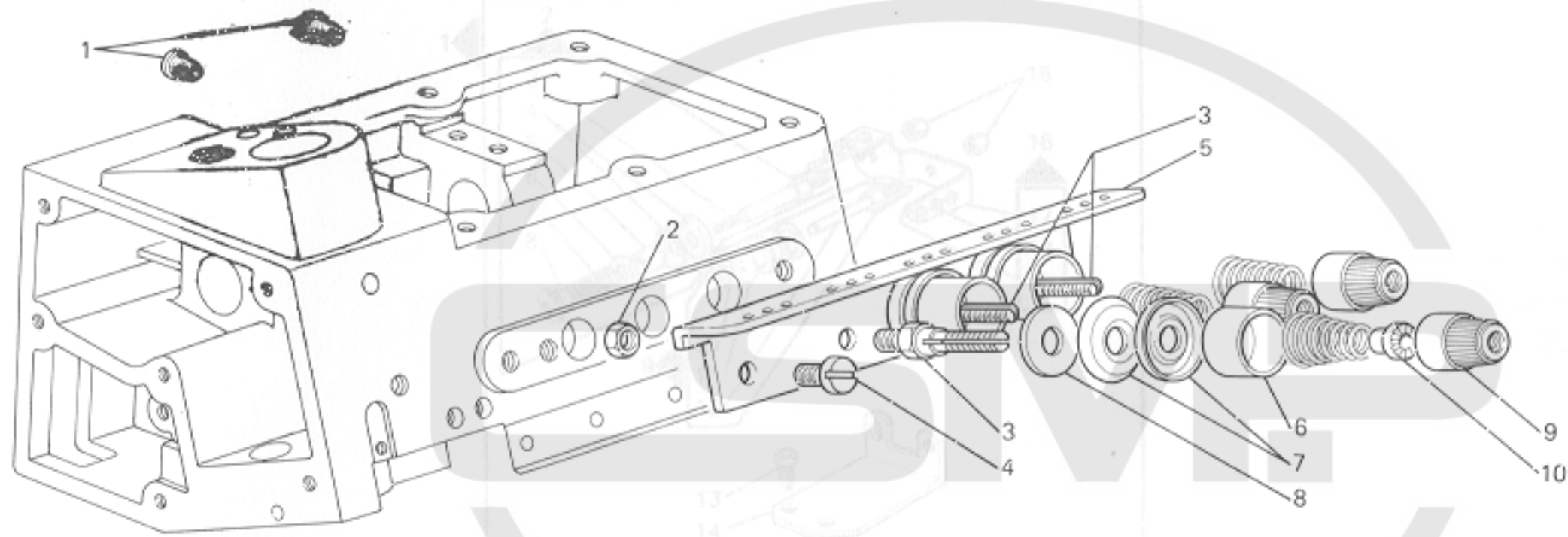
To order packet of needles please specify symbol of needle fitted on machine.

Pour commander un sachet d'aiguilles donner le symbole de l'aiguille montée sur la tête.

Um die Nadelnpackung zu bestellen bitte das gleiche Nadelsymbol wie die an Naehekopf umgebauter Nadel zu geben.

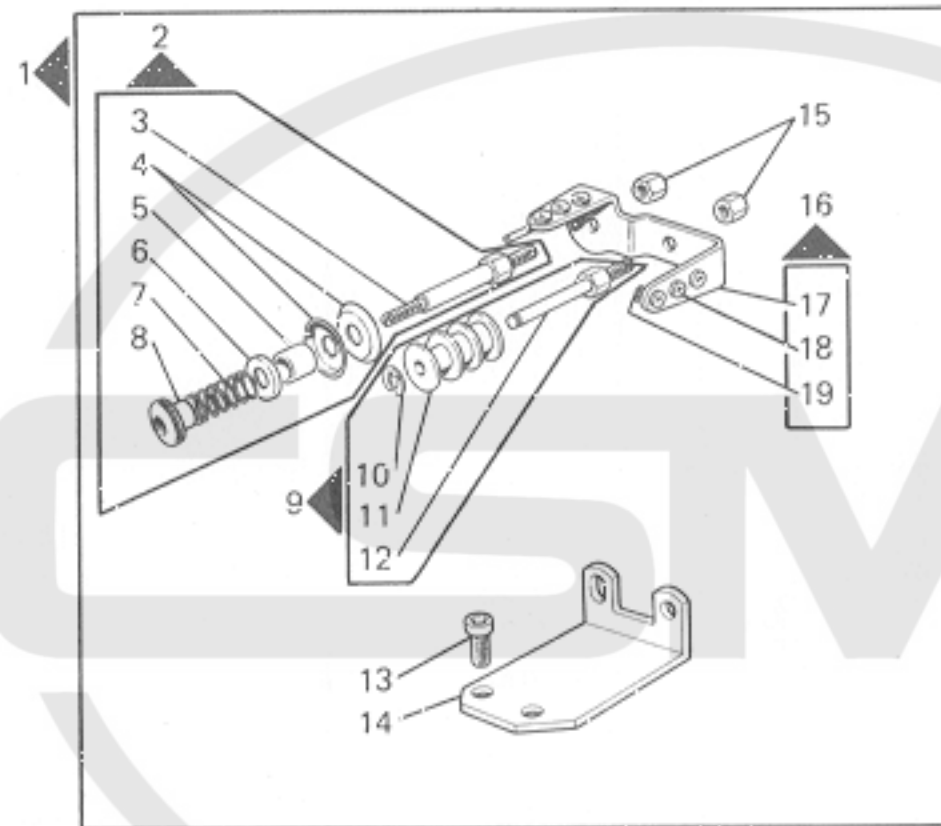
Para el pedido de un paquete de agujas, citar el mismo símbolo de la aguja montada en el cabezal.

| Fig. N. | Part. N. Piece N. | Qt. |
|---------|-------------------|-----|
| 1 | 991400-4-03 | 1 |
| 2 | 990474-0-11 | 1 |
| 3 | 991415-0-00 | 1 |
| 4 | 990723-0-00 | 1 |
| 5 | 990639-0-10 | 1 |
| 6 | 990685-0-10 | 1 |
| 7 | 990325-0-10 | 1 |
| 8 | 990176-0-10 | 1 |
| 9 | 990979-0-00 | 1 |
| 10 | 991512-0-00 | 1 |
| 11 | 722063-2-00 | 2 |
| 12 | 209020-0-00 | 1 |



| Fig. N. | Part. N. Piece N. | Qt. |
|---------|-------------------|-----|
| 1 | 207893-0-00 | 2 |
| 2 | 746406-2-00 | 3 |
| 3 | 206747-0-02 | 3 |
| 4 | 202397-0-10 | 2 |
| 5 | 209753-0-00 | 1 |
| 6 | 202556-0-01 | 3 |
| 7 | 300218-0-10 | 6 |
| 8 | 206754-0-00 | 3 |
| 9 | 202558-0-11 | 3 |
| 10 | 202229-0-11 | 3 |
| 11 | 203392-2-10 | 1 |
| 12 | 100528-0-10 | 1 |
| 13 | 722423-2-00 | 2 |
| 14 | 211780-0-00 | 1 |
| 15 | 746022-2-00 | 2 |
| 16 | 203300-4-10 | 1 |
| 17 | 203380-2-10 | 1 |
| 18 | 100527-0-10 | 3 |
| 19 | 300429-0-10 | 3 |

GRUPPI DI COMPOSIZIONE - COMPOSITION KITS - GROUPES DE KIT - KIT GRUPPEN - GRUPOS DE COMPOSICIONES



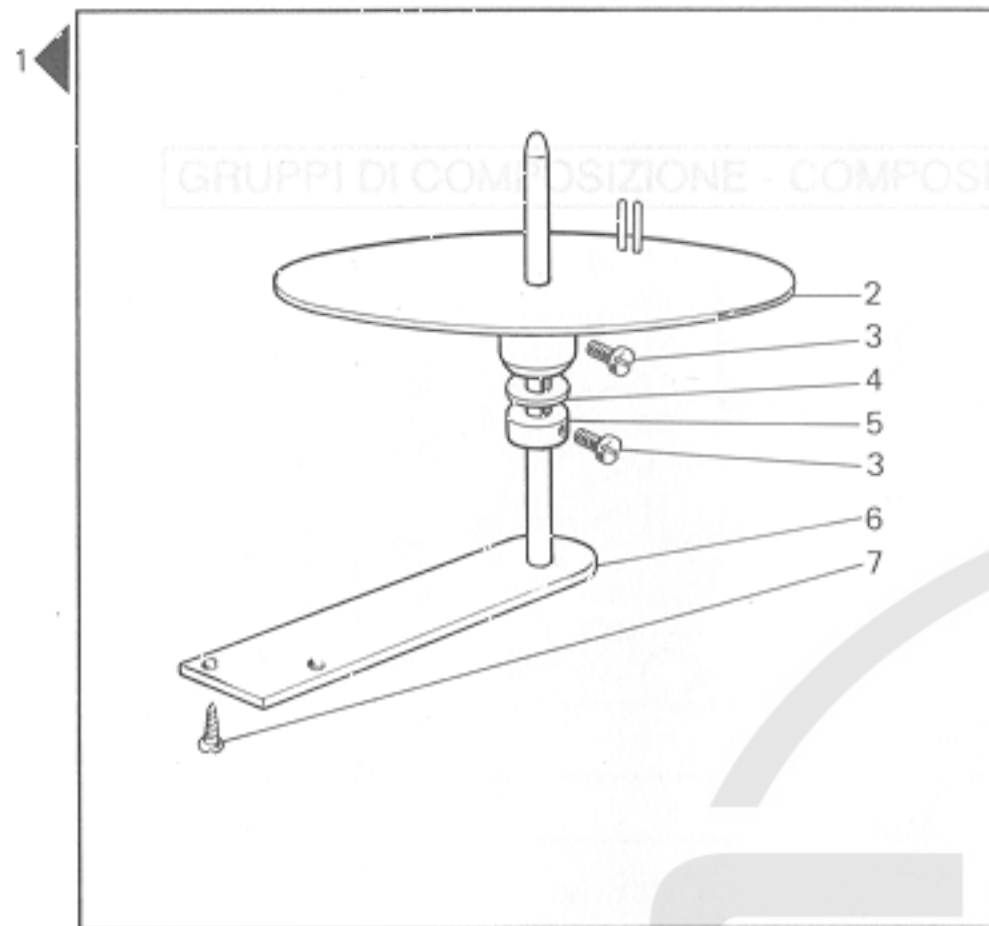
| Fig. N. | Part. N. Piece N. | Qt. |
|---------|-------------------|-----|
| 1 | 211781-4-00 | 1 |
| 2 | 203395-4-10 | 1 |
| 3 | 203394-0-10 | 1 |
| 4 | 201009-0-10 | 2 |
| 5 | 203396-0-10 | 1 |
| 6 | 200821-0-10 | 1 |
| 7 | 203381-0-10 | 1 |
| 8 | 100529-0-10 | 1 |
| 9 | 203393-4-10 | 1 |
| 10 | 700205-0-00 | 1 |
| 11 | 203392-2-10 | 1 |
| 12 | 100528-0-10 | 1 |
| 13 | 722423-2-00 | 2 |
| 14 | 211780-0-00 | 1 |
| 15 | 746022-2-00 | 2 |
| 16 | 203390-4-10 | 1 |
| 17 | 203389-2-10 | 1 |
| 18 | 100527-0-10 | 3 |
| 19 | 300429-0-10 | 3 |

ATTREZZATURE VARIE
 VARIOUS EQUIPMENT
 EQUIPEMENT DIVERS
 ANDERE BRUTILE
 EQUIPOS VARIOS

WFS-65

WFS-65-001-00-0

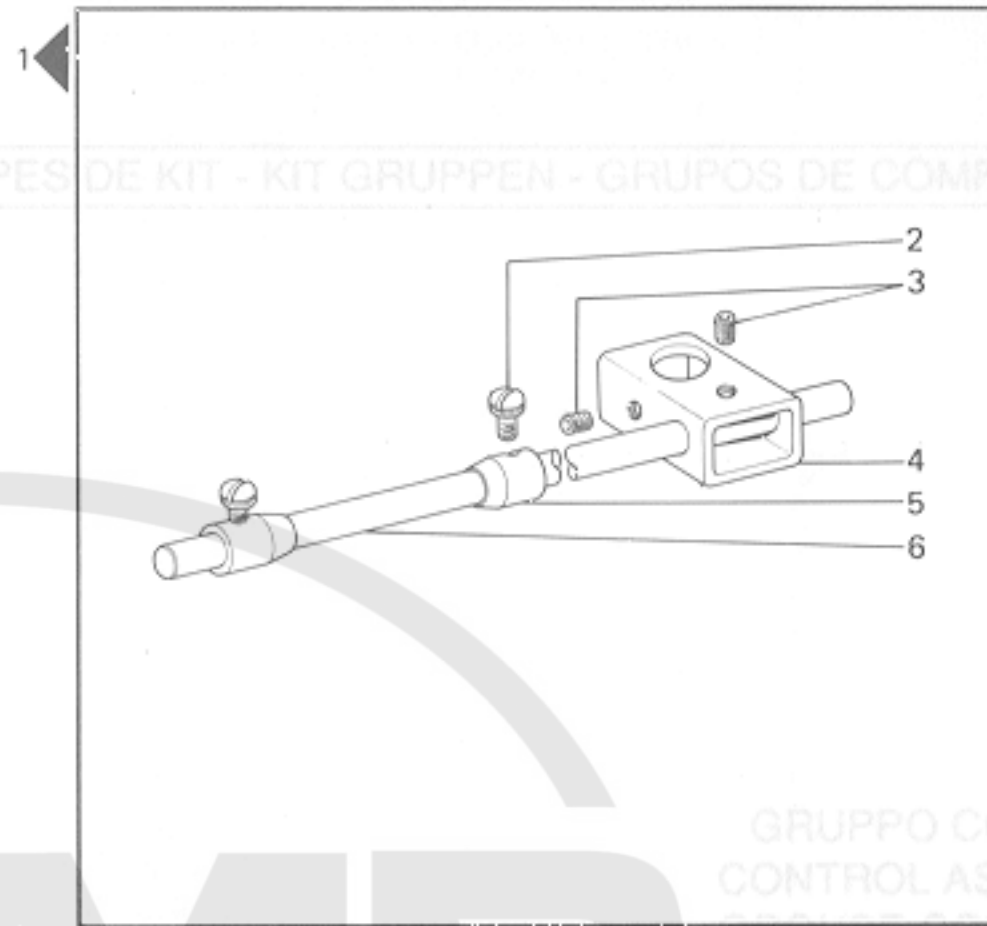
Rim®



| Fig. N. | Part. N. Piece N. | Qt. |
|---------|-------------------|-----|
| 1 | 991589-4-00 | 1 |
| 2 | 991590-2-00 | 1 |
| 3 | 723266-2-00 | 2 |
| 4 | 311408-0-00 | 1 |
| 5 | 991581-2-00 | 1 |
| 6 | 991321-2-00 | 1 |
| 7 | 731107-2-00 | 2 |

WFS-65-002-00-0

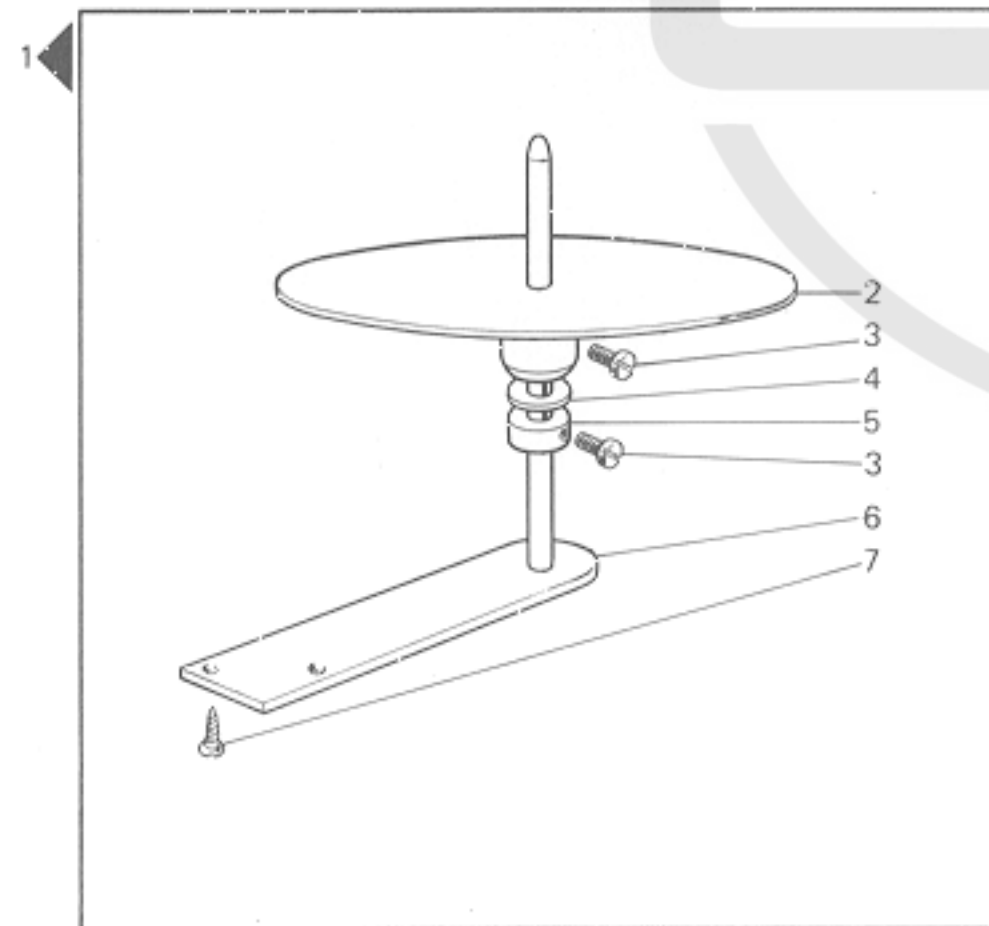
Rim®



| Fig. N. | Part. N. Piece N. | Qt. |
|---------|-------------------|-----|
| 1 | 991226-4-10 | 1 |
| 2 | 990596-0-10 | 2 |
| 3 | 729034-2-00 | 2 |
| 4 | 991263-2-00 | 1 |
| 5 | 990594-2-00 | 2 |
| 6 | 991229-0-00 | 1 |

WFS-65-004-00-0

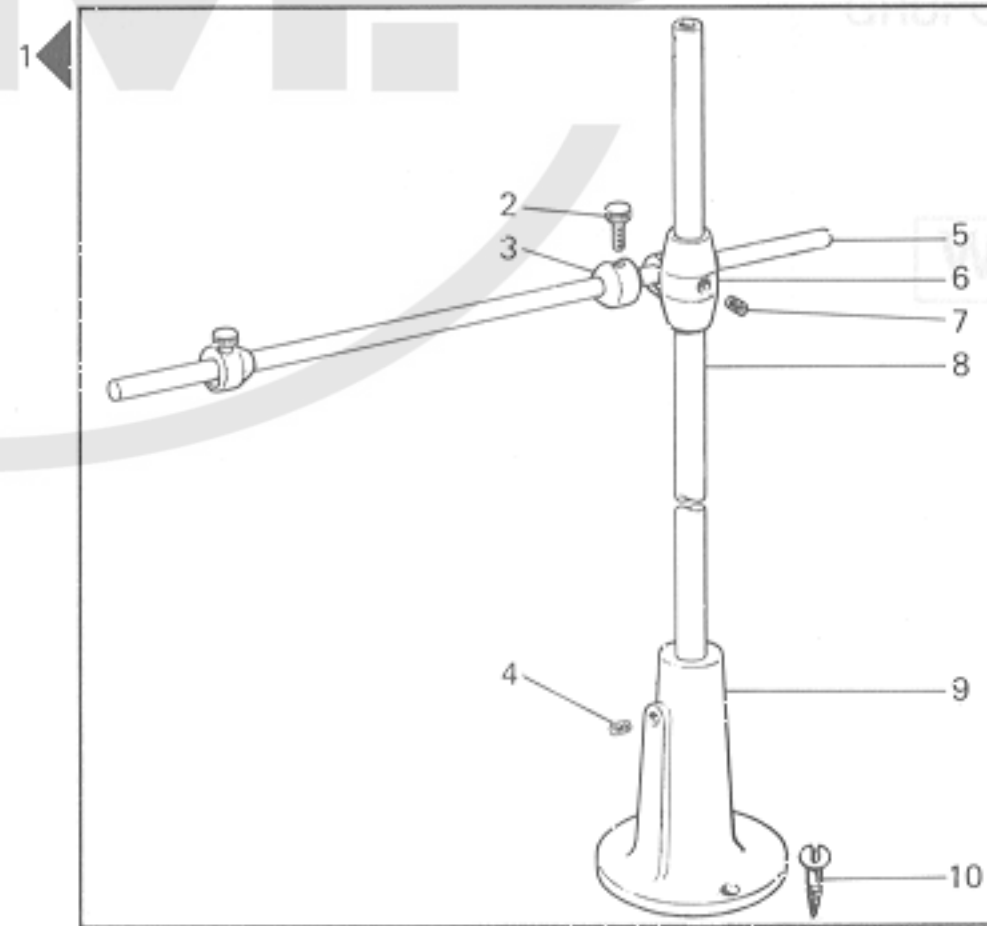
Rim®



| Fig. N. | Part. N. Piece N. | Qt. |
|---------|-------------------|-----|
| 1 | 991580-4-00 | 1 |
| 2 | 991582-2-00 | 1 |
| 3 | 723266-2-00 | 2 |
| 4 | 311408-0-00 | 1 |
| 5 | 991581-2-00 | 1 |
| 6 | 991321-2-00 | 1 |
| 7 | 731107-2-00 | 2 |

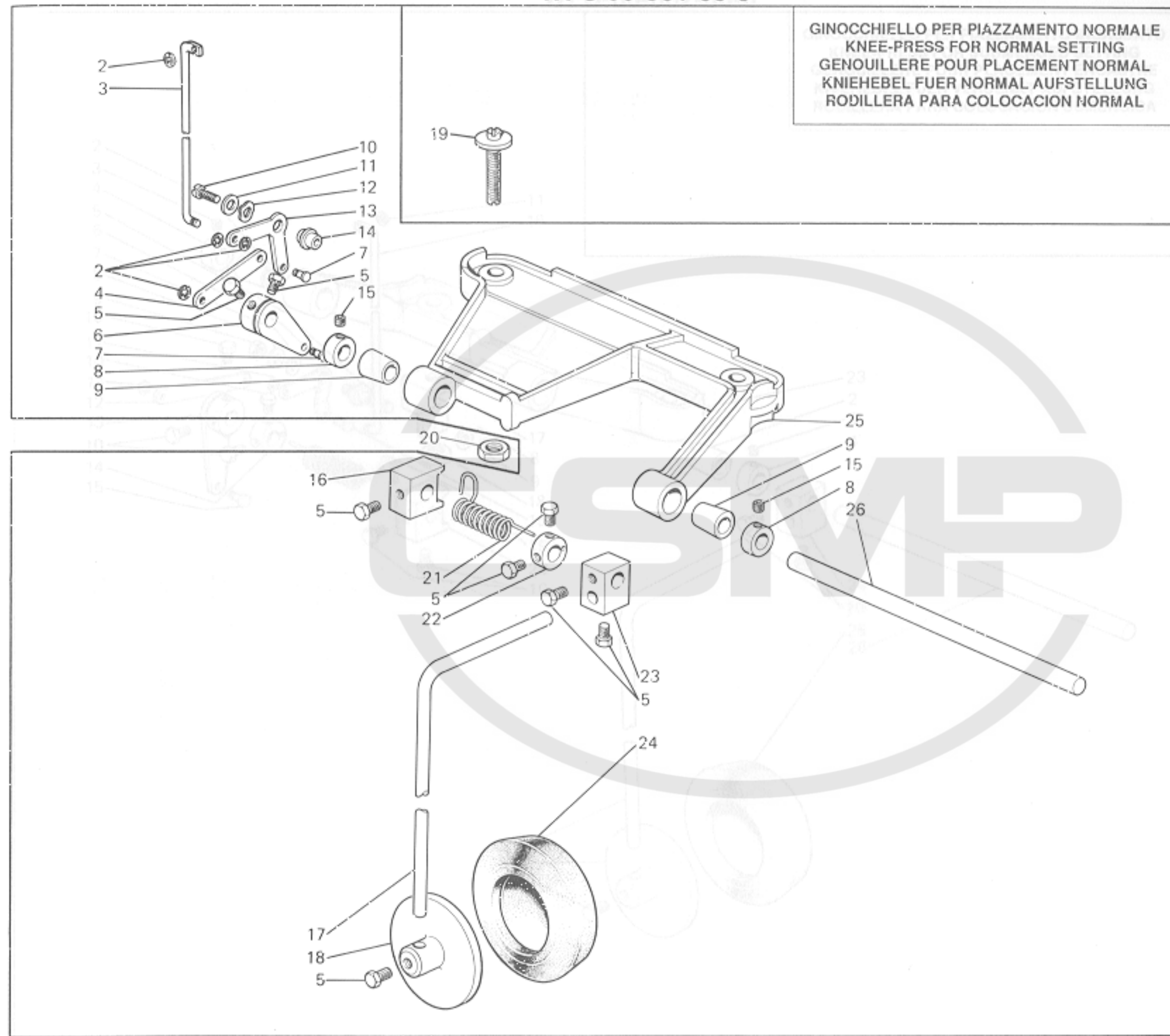
WFS-65-005-00-0

Rim®



| Fig. N. | Part. N. Piece N. | Qt. |
|---------|-------------------|-----|
| 1 | 990285-4-12 | 1 |
| 2 | 990596-0-10 | 2 |
| 3 | 990594-2-00 | 2 |
| 4 | 729054-2-00 | 1 |
| 5 | 990593-0-11 | 1 |
| 6 | 991153-2-00 | 1 |
| 7 | 729024-2-00 | 2 |
| 8 | 990592-0-11 | 1 |
| 9 | 991114-2-00 | 1 |
| 10 | 731107-2-00 | 3 |

GINOCCHIELLO PER PIAZZAMENTO NORMALE
 KNEE-PRESS FOR NORMAL SETTING
 GENUILLERE POUR PLACEMENT NORMAL
 KNEHEBEL FUER NORMAL AUFSTELLUNG
 RODILLERA PARA COLOCACION NORMAL

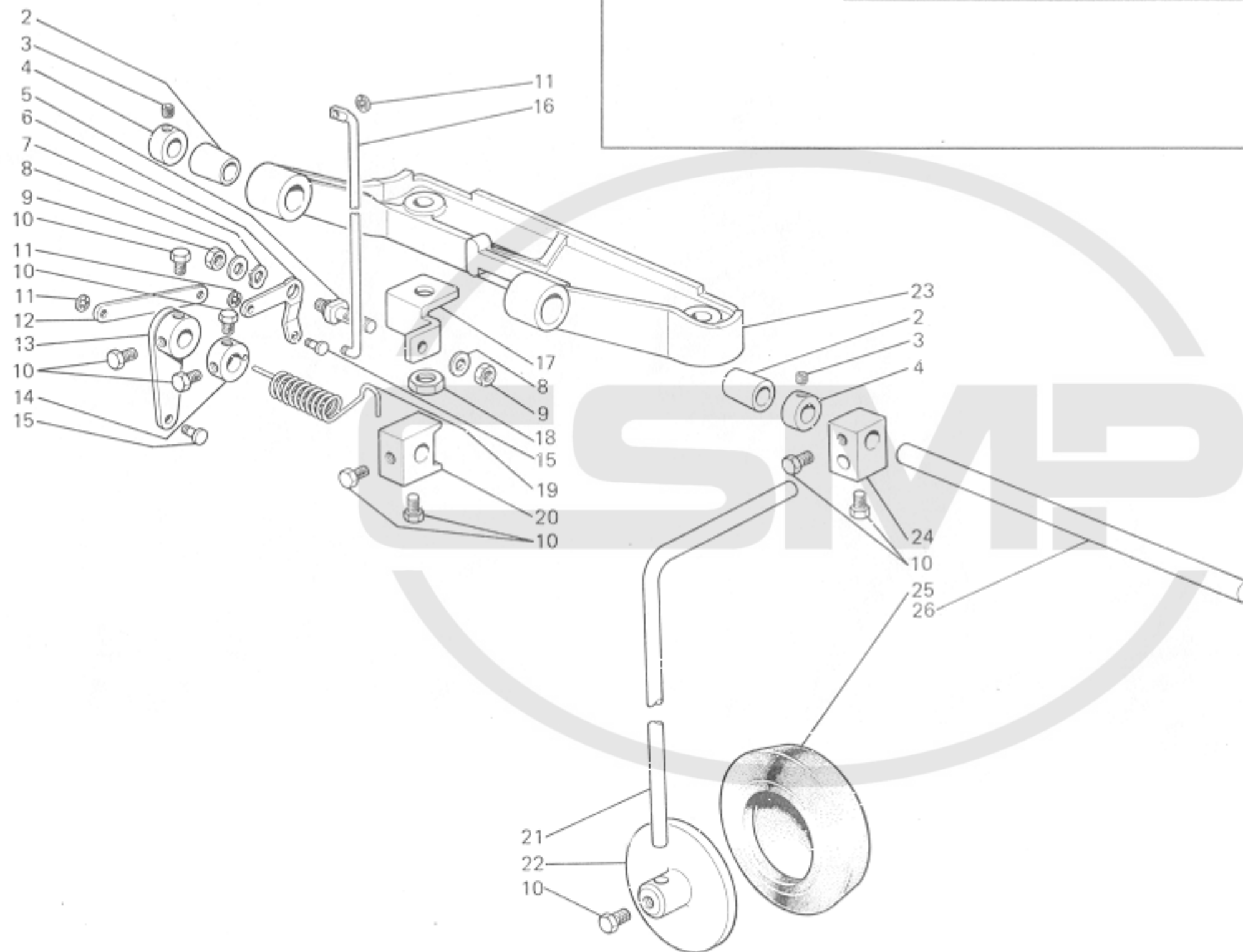


| Fig. N. | Part. N. Piece N. | Qt. |
|---------|-------------------|-----|
| 1 | 920177-4-00 | 1 |
| 2 | 700206-0-00 | 4 |
| 3 | 920626-0-00 | 1 |
| 4 | 920625-0-00 | 1 |
| 5 | 740035-0-00 | 9 |
| 6 | 920623-2-00 | 1 |
| 7 | 920176-0-00 | 2 |
| 8 | 920242-2-00 | 2 |
| 9 | 920231-0-00 | 2 |
| 10 | 742068-2-00 | 1 |
| 11 | 704216-2-00 | 1 |
| 12 | 208220-0-00 | 1 |
| 13 | 920624-0-00 | 1 |
| 14 | 920621-0-00 | 1 |
| 15 | 729013-2-00 | 2 |
| 16 | 920128-0-00 | 1 |
| 17 | 920490-0-10 | 1 |
| 18 | 920105-0-10 | 1 |
| 19 | 901265-0-00 | 1 |
| 20 | 733008-2-00 | 2 |
| 21 | 920235-0-00 | 1 |
| 22 | 920114-0-10 | 1 |
| 23 | 920103-0-11 | 1 |
| 24 | 920113-0-11 | 1 |
| 25 | 920627-0-00 | 1 |
| 26 | 920230-0-00 | 1 |

WFS-66-002-00-0

Rim®

GINOCCHIELLO PER PIAZZAMENTO INCASSATO
 KNEE-PRESS FOR SUBMERGED SETTING
 GENOILLERE POUR PLACEMENT ENCASTRE
 KNIEHEBEL FUER VERSENKT AUFSTELLUNG
 RODILLERA PARA COLOCACION SUMERGIDA

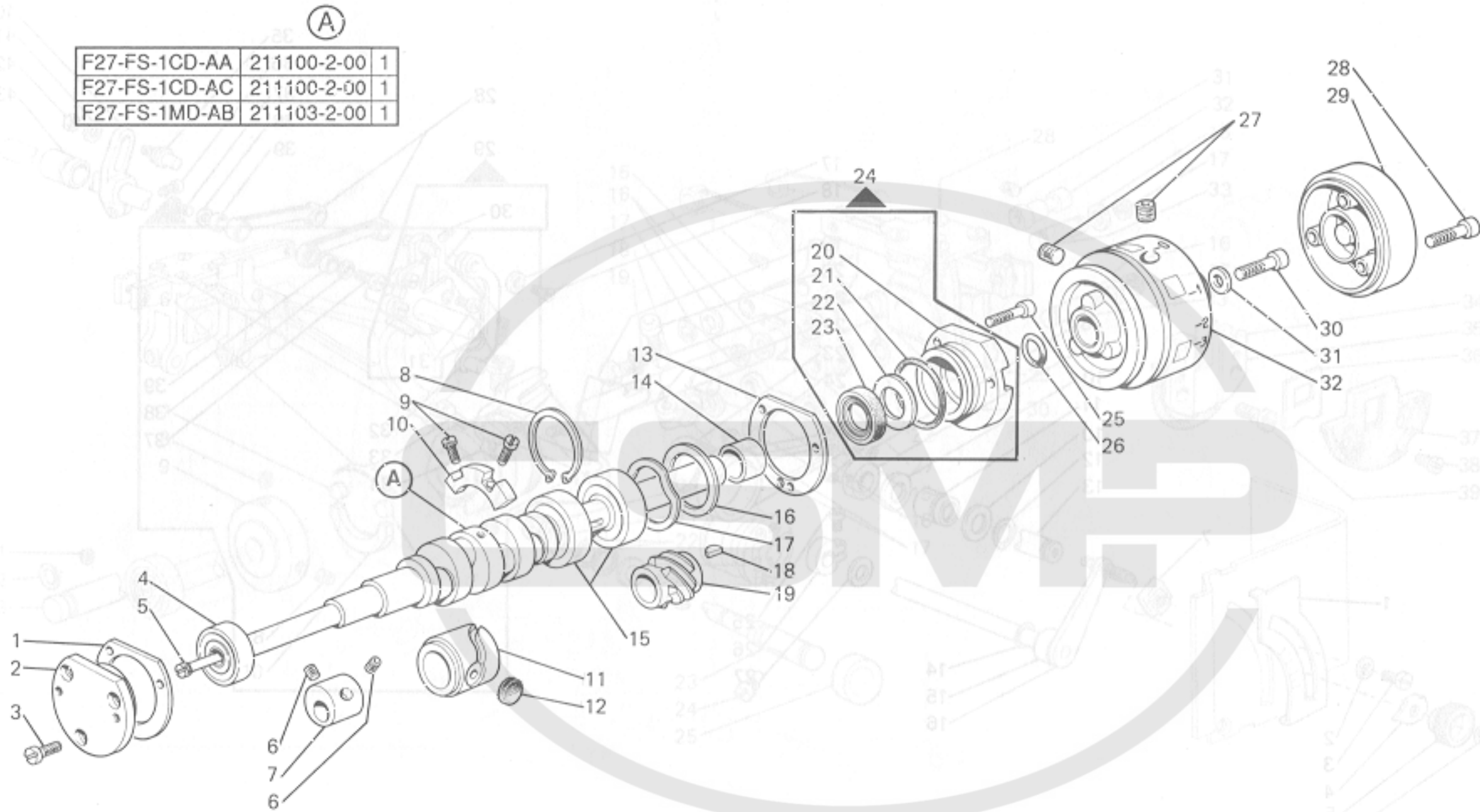


| Fig. N. | Part. N. Piece N. | Qt. |
|---------|-------------------|-----|
| 1 | 920175-4-00 | 1 |
| 2 | 920231-0-00 | 2 |
| 3 | 729013-2-00 | 2 |
| 4 | 920242-2-00 | 2 |
| 5 | 920957-0-00 | 1 |
| 6 | 920956-0-00 | 1 |
| 7 | 208220-0-00 | 1 |
| 8 | 704216-2-00 | 2 |
| 9 | 733507-2-00 | 2 |
| 10 | 740035-0-00 | 9 |
| 11 | 700206-0-00 | 4 |
| 12 | 920179-0-00 | 1 |
| 13 | 920960-2-00 | 1 |
| 14 | 920114-0-10 | 1 |
| 15 | 920178-0-00 | 2 |
| 16 | 920961-0-00 | 1 |
| 17 | 920958-0-00 | 1 |
| 18 | 733008-2-00 | 1 |
| 19 | 920106-0-10 | 1 |
| 20 | 920128-0-00 | 1 |
| 21 | 920490-0-10 | 1 |
| 22 | 920105-0-10 | 1 |
| 23 | 920241-0-01 | 1 |
| 24 | 920103-0-11 | 1 |
| 25 | 920113-0-11 | 1 |
| 26 | 920230-0-00 | 1 |

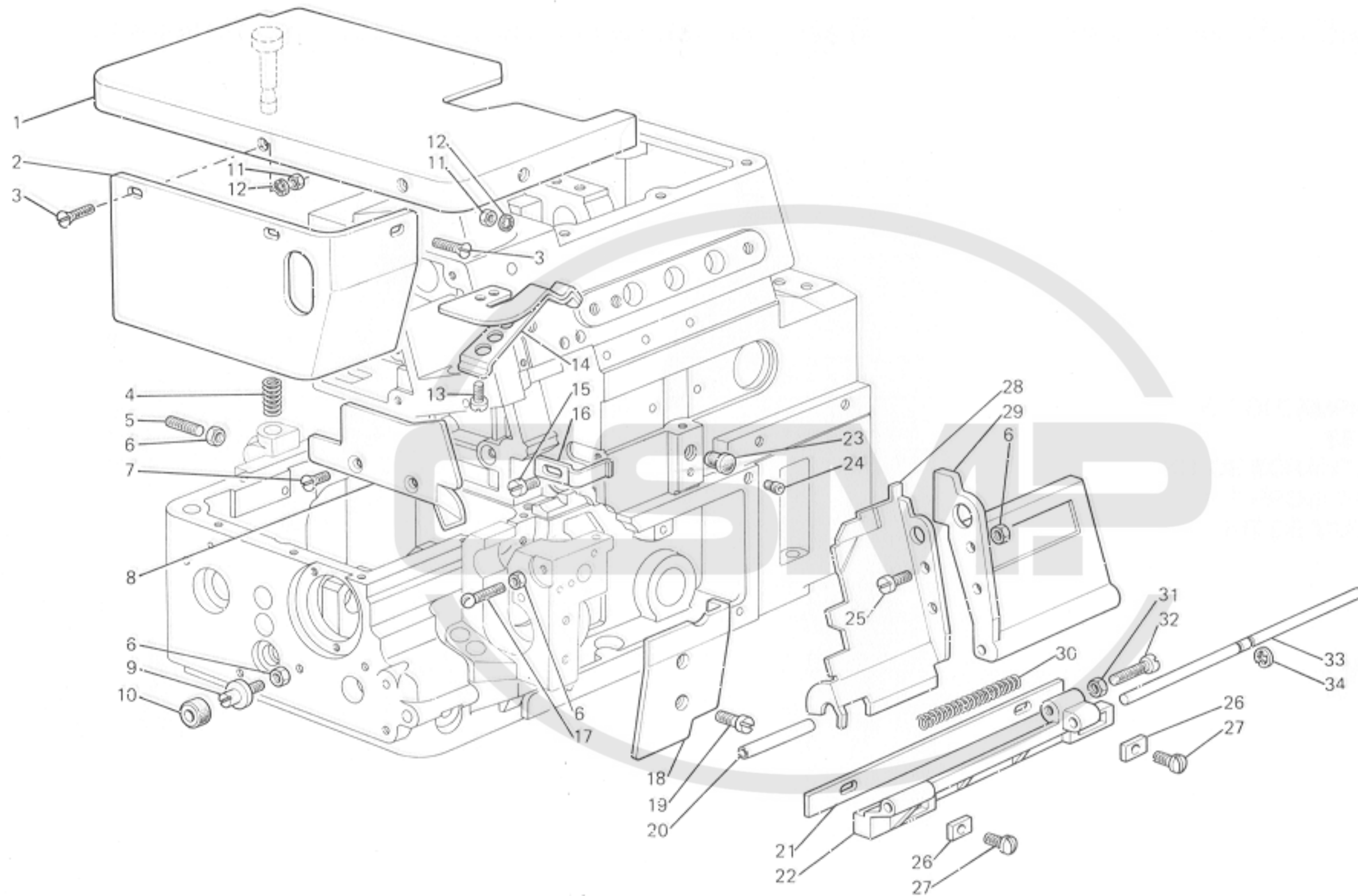
TAPADEFAS

WFS-68

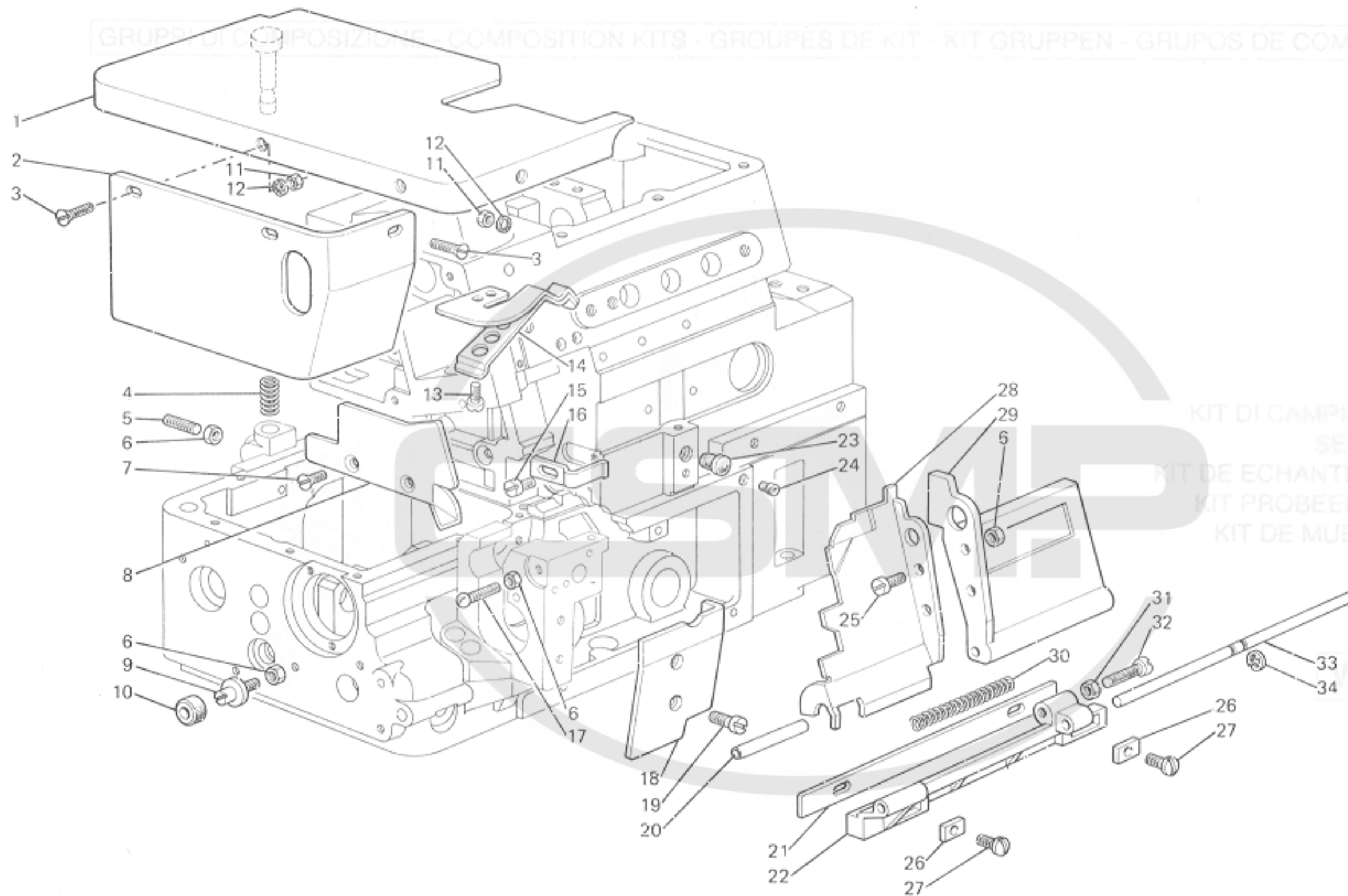
| | | |
|---------------|-------------|---|
| F27-FS-1CD-AA | 211100-2-00 | 1 |
| F27-FS-1CD-AC | 211100-2-00 | 1 |
| F27-FS-1MD-AB | 211103-2-00 | 1 |



| Fig. N. | Part. N. / Piece N. | Qt. |
|---------|---------------------|-----|
| 1 | 206543-0-01 | 1 |
| 2 | 206680-0-01 | 1 |
| 3 | 741956-2-00 | 3 |
| 4 | 202389-0-10 | 1 |
| 5 | 209610-0-01 | 1 |
| 6 | 745815-2-00 | 2 |
| 7 | 209144-2-00 | 1 |
| 8 | 202386-0-10 | 1 |
| 9 | 721473-2-00 | 2 |
| 10 | 209146-0-00 | 1 |
| 11 | 211104-0-00 | 1 |
| 12 | 211033-0-00 | 1 |
| 13 | 209111-0-00 | 1 |
| 14 | 206692-0-00 | 1 |
| 15 | 202387-0-10 | 2 |
| 16 | 209185-0-00 | 1 |
| 17 | 206689-0-01 | 1 |
| 18 | 204122-0-10 | 1 |
| 19 | 206556-0-01 | 1 |
| 20 | 209109-0-00 | 1 |
| 21 | 701133-0-00 | 1 |
| 22 | 206693-0-00 | 1 |
| 23 | 700630-0-00 | 1 |
| 24 | 209110-4-00 | 1 |
| 25 | 722063-2-00 | 3 |
| 26 | 701116-0-00 | 1 |
| 27 | 729034-2-00 | 2 |
| 28 | 722461-2-00 | 3 |
| 29 | 211131-0-00 | 1 |
| 30 | 742675-0-00 | 1 |
| 31 | 704236-2-00 | 1 |
| 32 | 210314-0-00 | 1 |

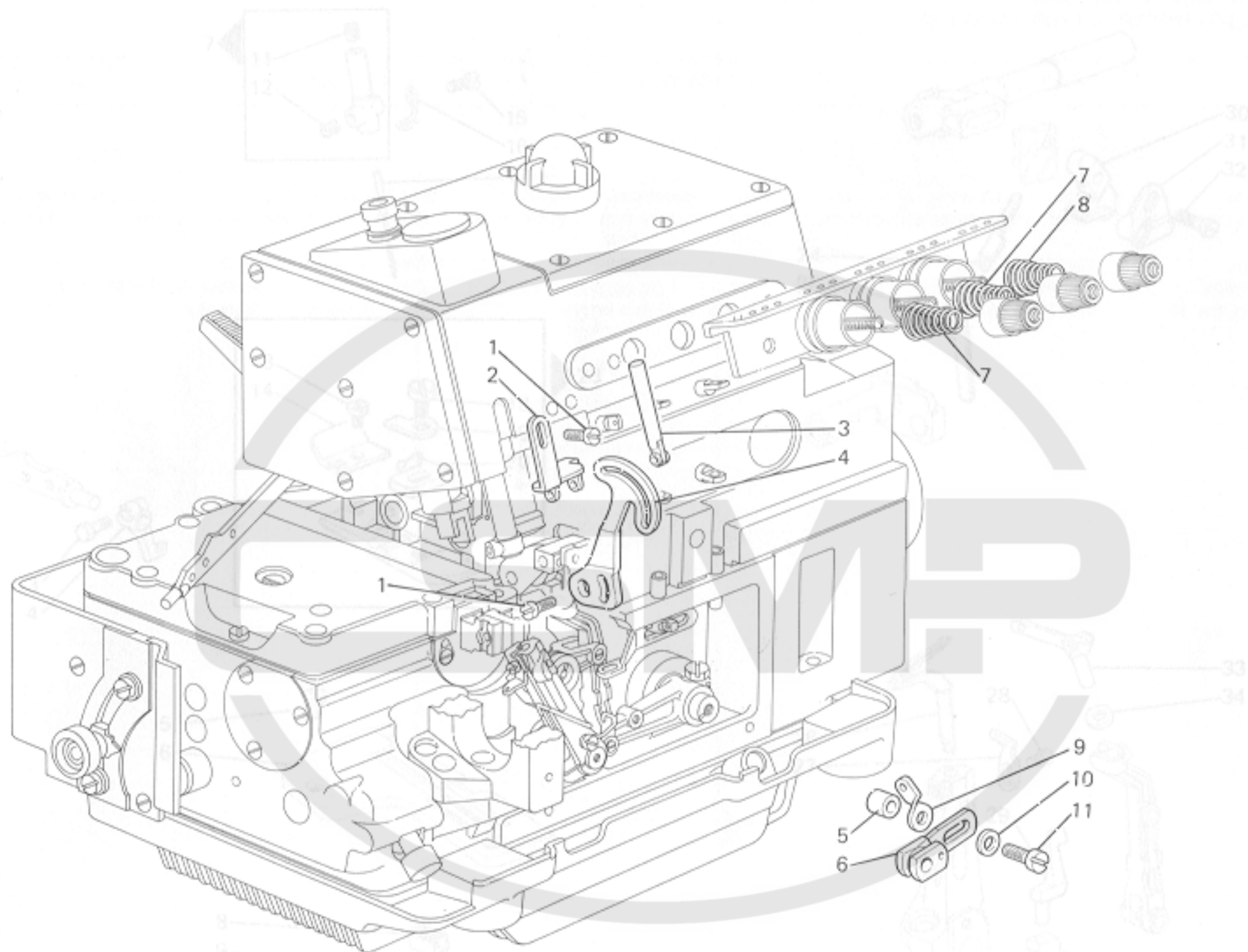


| Fig. N. | Part. N. Piece N. | Qt. |
|---------|-------------------|-----|
| 1 | 211704-2-00 | 1 |
| 2 | 211689-0-00 | 1 |
| 3 | 744651-0-00 | 3 |
| 4 | 211410-0-00 | 1 |
| 5 | 211409-0-00 | 1 |
| 6 | 746007-2-00 | 5 |
| 7 | 744730-2-00 | 2 |
| 8 | 211714-0-00 | 1 |
| 9 | 211694-0-00 | 1 |
| 10 | 211028-0-00 | 1 |
| 11 | 746003-0-00 | 3 |
| 12 | 703203-0-00 | 3 |
| 13 | 721423-0-00 | 2 |
| 14 | 211703-2-00 | 1 |
| 15 | 721454-2-00 | 1 |
| 16 | 211686-0-00 | 1 |
| 17 | 211715-0-00 | 1 |
| 18 | 211691-0-00 | 1 |
| 19 | 741967-2-00 | 2 |
| 20 | 211682-0-00 | 1 |
| 21 | 211539-0-00 | 1 |
| 22 | 211582-0-00 | 1 |
| 23 | 202398-0-10 | 1 |
| 24 | 207856-0-00 | 1 |
| 25 | 200356-0-10 | 2 |
| 26 | 209720-0-00 | 2 |
| 27 | 722441-2-00 | 2 |
| 28 | 209684-0-00 | 1 |
| 29 | 211681-0-00 | 1 |
| 30 | 209683-0-00 | 1 |
| 31 | 733806-2-00 | 1 |
| 32 | 722143-2-00 | 1 |
| 33 | 211583-0-01 | 1 |
| 34 | 700207-0-00 | 1 |



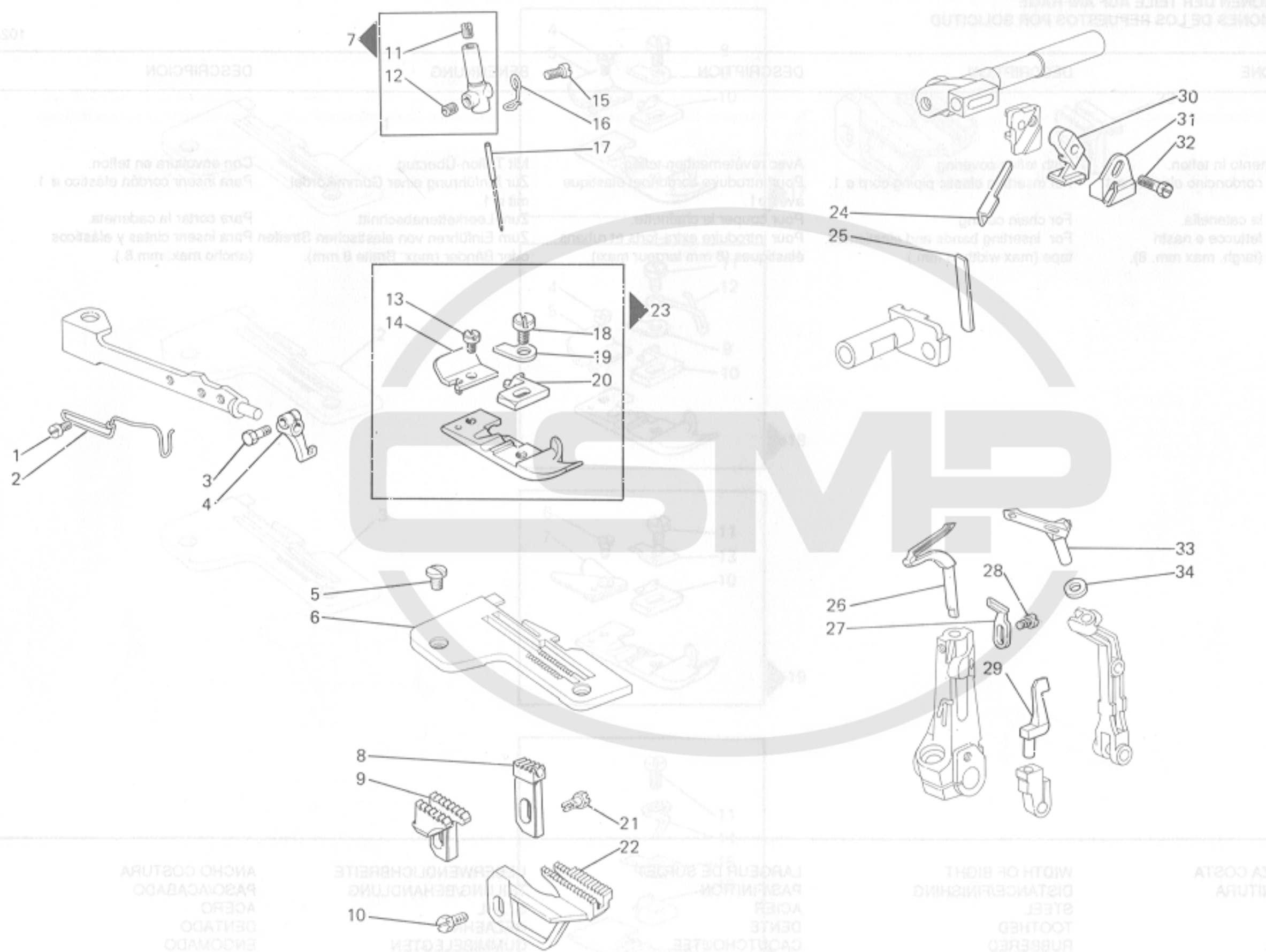
| Fig. N. | Part. N. Piece N. | Qt. |
|---------|-------------------|-----|
| 1 | 211711-2-00 | 1 |
| 2 | 211689-0-00 | 1 |
| 3 | 744651-0-00 | 3 |
| 4 | 211410-0-00 | 1 |
| 5 | 211409-0-00 | 1 |
| 6 | 746007-2-00 | 5 |
| 7 | 744730-2-00 | 2 |
| 8 | 211714-0-00 | 1 |
| 9 | 211694-0-00 | 1 |
| 10 | 211028-0-00 | 1 |
| 11 | 746003-0-00 | 3 |
| 12 | 703203-0-00 | 3 |
| 13 | 721423-0-00 | 2 |
| 14 | 211703-2-00 | 1 |
| 15 | 721454-2-00 | 1 |
| 16 | 211686-0-00 | 1 |
| 17 | 211715-0-00 | 1 |
| 18 | 211691-0-00 | 1 |
| 19 | 741967-2-00 | 2 |
| 20 | 211682-0-00 | 1 |
| 21 | 211539-0-00 | 1 |
| 22 | 211582-0-00 | 1 |
| 23 | 202398-0-10 | 1 |
| 24 | 207856-0-00 | 1 |
| 25 | 200356-0-10 | 2 |
| 26 | 209720-0-00 | 2 |
| 27 | 722441-2-00 | 2 |
| 28 | 209684-0-00 | 1 |
| 29 | 211681-0-00 | 1 |
| 30 | 209683-0-00 | 1 |
| 31 | 733806-2-00 | 1 |
| 32 | 722143-2-00 | 1 |
| 33 | 211583-0-01 | 1 |
| 34 | 700207-0-00 | 1 |

1



| Fig. N. | Part. N. Piece N. | Qt. |
|---------|-------------------|-----|
| 1 | 741558-0-00 | 3 |
| 2 | 211126-0-00 | 1 |
| 3 | 206714-2-00 | 1 |
| 4 | 211139-0-00 | 1 |
| 5 | 211742-0-00 | 1 |
| 6 | 211743-0-00 | 1 |
| 7 | 202227-0-10 | 2 |
| 8 | 202681-0-10 | 1 |
| 9 | 211748-0-00 | 1 |
| 10 | 704104-2-00 | 1 |
| 11 | 722440-2-00 | 1 |
| 12 | 741102-2-00 | 1 |
| 13 | 741413-2-00 | 1 |
| 14 | 202182-0-10 | 1 |
| 15 | 741415-2-00 | 1 |
| 16 | 207540-0-00 | 1 |
| 17 | 765200-6-80 | 6 |
| 18 | 741665-2-00 | 1 |
| 19 | 202201-0-10 | 1 |
| 20 | 202195-0-10 | 1 |
| 21 | 202488-0-10 | 1 |
| 22 | 203159-0-10 | 1 |
| 23 | 202171-3-10 | 1 |
| 24 | 208348-0-00 | 2 |
| 25 | 202148-0-10 | 2 |
| 26 | 209264-0-10 | 1 |
| 27 | 209261-0-00 | 1 |
| 28 | 741538-2-00 | 1 |
| 29 | 207995-0-00 | 1 |
| 30 | 207653-0-01 | 1 |
| 31 | 211137-0-00 | 1 |
| 32 | 207421-0-01 | 1 |
| 33 | 211248-0-00 | 1 |
| 34 | 211300-0-00 | 1 |

SEGUE
FOLLOWS



| Fig. N. | Part. N. Piece N. | Qt. |
|---------|-------------------|-----|
| 1 | 741433-2-00 | 1 |
| 2 | 991613-0-00 | 1 |
| 3 | 204947-0-10 | 1 |
| 4 | 206810-2-00 | 1 |
| 5 | 744742-2-00 | 2 |
| 6 | 203214-0-11 | 1 |
| 7 | 207520-2-00 | 1 |
| 8 | 202061-0-10 | 1 |
| 9 | 202057-0-20 | 1 |
| 10 | 202489-0-10 | 1 |
| 11 | 727021-5-00 | 1 |
| 12 | 745810-2-00 | 1 |
| 13 | 741413-2-00 | 1 |
| 14 | 202192-0-10 | 1 |
| 15 | 741415-2-00 | 1 |
| 16 | 207540-0-00 | 1 |
| 17 | 765200-6-80 | 6 |
| 18 | 741665-2-00 | 1 |
| 19 | 202201-0-11 | 1 |
| 20 | 202195-0-11 | 1 |
| 21 | 202488-0-10 | 1 |
| 22 | 203199-0-10 | 1 |
| 23 | 202171-3-12 | 1 |
| 24 | 209348-0-00 | 2 |
| 25 | 202146-0-10 | 2 |
| 26 | 209264-0-10 | 1 |
| 27 | 209261-0-00 | 1 |
| 28 | 741538-2-00 | 1 |
| 29 | 207995-0-00 | 1 |
| 30 | 207653-0-01 | 1 |
| 31 | 211137-0-00 | 1 |
| 32 | 207421-0-01 | 1 |
| 33 | 211248-0-00 | 1 |
| 34 | 211300-0-00 | 1 |

ANCHO COSTURA
PASACABADO
ACERO
DENTADO
ENGOMADO
WIDIA

LARGEUR DE SURSE
PASSE-PIED
ACIER
DENTE
CAOUTCHOUC
WIDIA

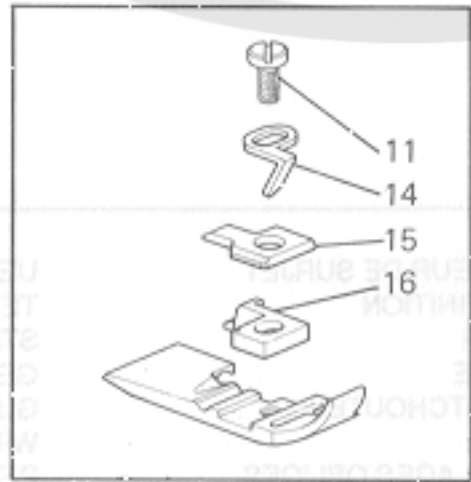
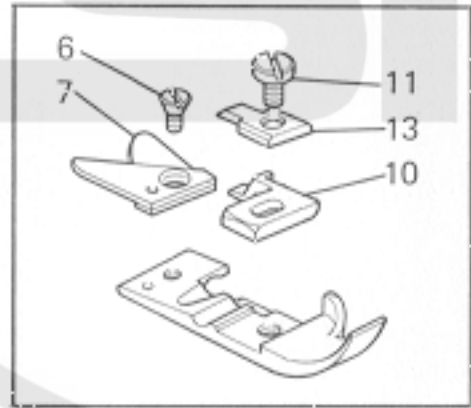
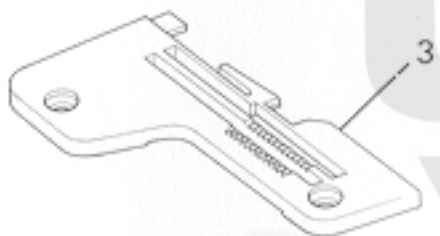
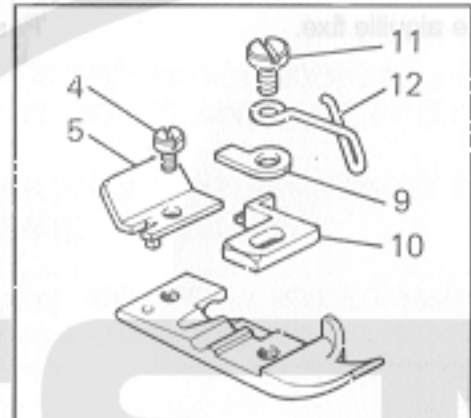
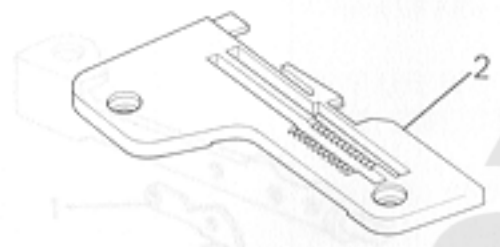
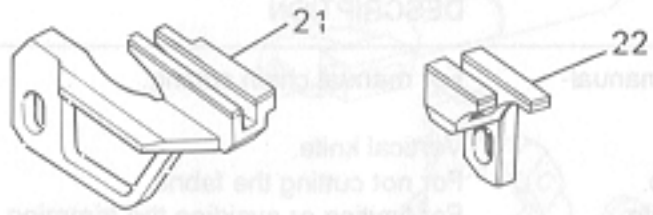
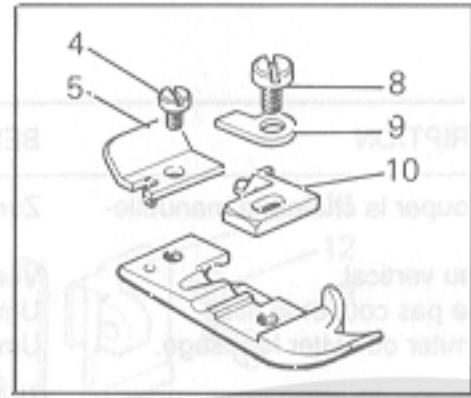
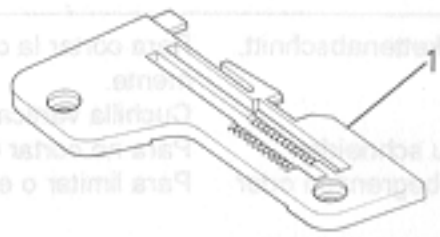
WIDTH OF BIGHT
DISTANCEFINISHING
STEEL
TOOTHED
RUBBERED
WIDIA

SEGUE
FOLLOWS

CARATTERISTICHE E FUNZIONI DEI PARTICOLARI A RICHIESTA
 CHARACTERISTICS AND FUNCTIONS OF REQUESTED SPARE PARTS
 CARACTERISTIQUES ET FONCTIONS DES REFERENCES SUR DEMANDE
 KENNZEICHEN UND FUNKTIONEN DER TEILE AUF ANFRAGE
 CARACTERISTICAS Y FUNCIONES DE LOS REPUESTOS POR SOLICITUD

| Fig. N. | X | Y | DESCRIZIONE | DESCRIPTION | DESCRIPTION | BENENNUNG | DESCRIPCION |
|---------|-----|---|--|---|---|--|---|
| 1 | 3,8 | | | | | | |
| 2 | 5 | | | | | | |
| 3 | 2,8 | | | | | | |
| 17 | | | Con rivestimento in teflon. | With teflon covering. | Avec revêtement en teflon. | Mit Teflon-Überzug. | Con envoltura en teflon. |
| 18 | | | Per inserire cordoncino elastico ø 1. | For inserting elastic piping cord ø 1. | Pour introduire cordonnet élastique avec ø 1. | Zur Einführung einer Gummikordel mit ø 1. | Para inserir cordón elástico ø 1. |
| 19 | | | Per tagliare la catenella. | For chain cutting. | Pour couper la chaînette. | Zum Leerkettenabschnitt. | Para cortar la cadeneta. |
| 20 | | | Per inserire fettucce e nastri elasticizzati (largh. max mm. 8). | For inserting bands and elasticated tape (max width 8 mm.). | Pour introduire extra-forts et rubans élastiques (8 mm largeur maxi). | Zum Einführen von elastischen Streifen oder Bänder (max. Breite 8 mm). | Para inserir cintas y elásticos (ancho max. mm.8.). |
| 21* | | G | | | | | |
| 22* | | G | | | | | |

| | | | | | | |
|-------|---|-------------------------|--------------------|-------------------|---------------------|----------------------------|
| X | = | LARGHEZZA COSTA | WIDTH OF BIGHT | LARGEUR DE SURJET | UEBERWENDLICHBREITE | ANCHO COSTURA |
| Y | = | PASSO/FINITURA | DISTANCE/FINISHING | PAS/FINITION | TEILUNG/BEHANDLUNG | PASO/ACABADO |
| A | = | ACCIAIO | STEEL | ACIER | STAHL | ACERO |
| D | = | DENTATO | TOOTHED | DENTE | GEZAEHNT | DENTADO |
| G | = | GOMMATA | RUBBERED | CAOUTCHOUTEE | GUMMIBELEGTEN | ENGOMADO |
| W | = | WIDIA | WIDIA | WIDIA | WIDIA | WIDIA |
| * ▲ ● | = | ABBINAMENTI OBBLIGATORI | FIXED COUPLINGS | JUMELAGES OBLIGES | PFLICHT KOPPELUNGEN | COMBINACIONES OBLIGATORIAS |



| Fig. N. | Part. N. / Piece N. | Qt. |
|---------|---------------------|-----|
| 1 | 203217-0-11 | 1 |
| 2 | 203218-0-11 | 1 |
| 3 | 203220-0-11 | 1 |
| 4 | 741413-2-00 | 1 |
| 5 | 202192-0-10 | 1 |
| 6 | 744510-0-00 | 1 |
| 7 | 202512-4-10 | 1 |
| 8 | 741665-2-00 | 1 |
| 9 | 202201-0-11 | 1 |
| 10 | 202195-0-11 | 1 |
| 11 | 741675-2-00 | 1 |
| 12 | 202193-0-11 | 1 |
| 13 | 203772-0-11 | 1 |
| 14 | 207846-0-00 | 1 |
| 15 | 203571-0-11 | 1 |
| 16 | 203378-0-11 | 1 |
| 17 | 202172-3-11 | 1 |
| 18 | 202173-3-12 | 1 |
| 19 | 202509-3-12 | 1 |
| 20 | 207847-3-00 | 1 |
| 21 | 203201-2-11 | 1 |
| 22 | 202060-2-20 | 1 |

SEGU
FOLLOWS

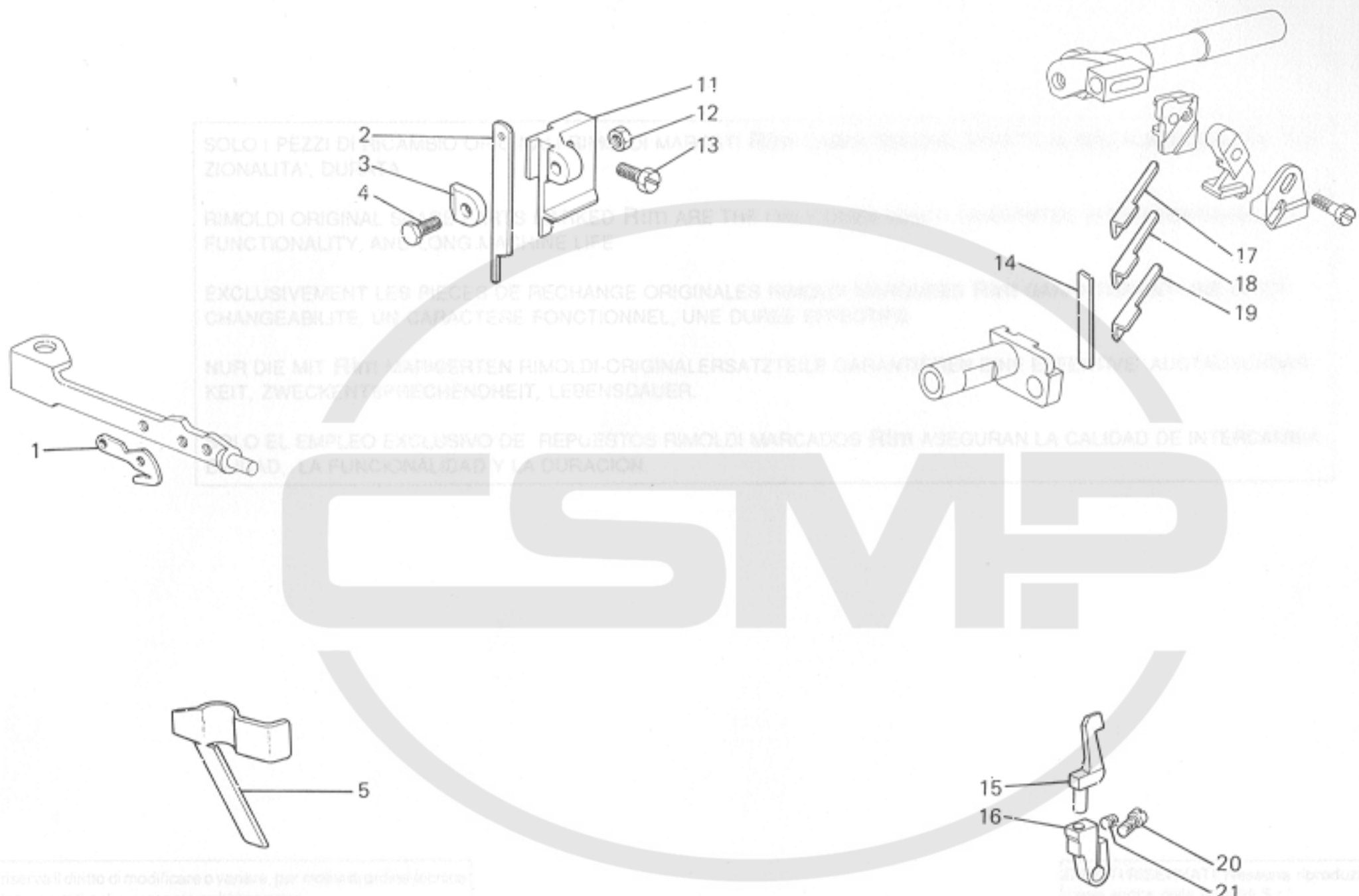
CARATTERISTICHE E FUNZIONI DEI PARTICOLARI A RICHIESTA
 CHARACTERISTICS AND FUNCTIONS OF REQUESTED SPARE PARTS
 CARACTERISTIQUES ET FONCTIONS DES REFERENCES SUR DEMANDE
 KENNZEICHEN UND FUNKTIONEN DER TEILE AUF ANFRAGE
 CARACTERÍSTICAS Y FUNCIONES DE LOS REPUESTOS POR SOLICITUD

102/4

| Fig. N. | X | Y | DESCRIZIONE | DESCRIPTION | DESCRIPTION | BENENNUNG | DESCRIPCION |
|---------|---|-----|---|--|--|---|--------------------------------------|
| 1 | | | Per tagliare la catenella manualmente. | For manual chain cutting. | Pour couper la chaînette manuellement. | Zum manuellen Leerkettenabschnitt. | Para cortar la cadeneta manualmente. |
| 2 | | A | Coltello verticale. | Vertical knife. | Couteau vertical. | Vertikal-Messer. | Cuchilla vertical. |
| 5 | | | Per non tagliare il tessuto. | For not cutting the fabric. | Pour ne pas couper le tissu. | Um den Stoff nicht zu schneiden. | Para no cortar el tejido. |
| 10 | | | Per limitare o evitare il rifilo. | For limiting or avoiding the trimming. | Pour limiter ou éviter le rasage. | Um Beschneiden zu begrenzen oder zu verhindern. | Para limitar o evitar el rehilado. |
| 14 | | W | Per tagliare la catenella introducendo nastri e elastici. | For chain cutting by introducing bands and elastics. | Pour couper la chaînette en introduisant des bandes et des élastiques. | Zum Einführen von elastischen Streifen. | Para insertar cintas y elásticos. |
| 15 | | | Saiva agha fisso. | Fixed needle guard. | Protège aiguille fixe. | Fester Nadelschutz. | Salva aguja fijo. |
| 17 | | A | | | | | |
| 18 | | A-D | | | | | |
| 19 | | A-D | | | | | |



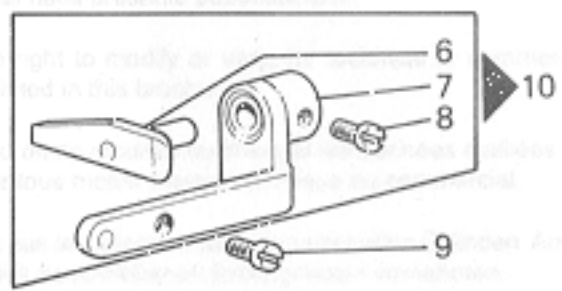
| | | | | | | |
|-------|---|-------------------------|--------------------|-------------------|---------------------|----------------------------|
| X | = | LARGHEZZA COSTA | WIDTH OF BIGHT | LARGEUR DE SURJET | UEBERWENDLICHBREITE | ANCHO COSTURA |
| Y | = | PASSO/FINITURA | DISTANCE/FINISHING | PAS/FINITION | TEILUNG/BEHANDLUNG | PASO/ACABADO |
| A | = | ACCIAIO | STEEL | ACIER | STAHL | ACERO |
| D | = | DENTATO | TOOTHED | DENTE | GEZAEHNT | DENTADO |
| G | = | GOMMATA | RUBBERED | CAOUTCHOUTEE | GUMMIBELEGTEN | ENGOMADO |
| W | = | WIDIA | WIDIA | WIDIA | WIDIA | WIDIA |
| * ▲ ● | = | ABBINAMENTI OBBLIGATORI | FIXED COUPLINGS | JUMELAGES OBLIGES | PFLICHT KOPPELUNGEN | COMBINACIONES OBLIGATORIAS |



| Fig. N. | Part. N. / Piece N. | Qt. |
|---------|---------------------|-----|
| 1 | 202194-0-11 | 1 |
| 2 | 209593-0-00 | 2 |
| 3 | 202620-0-10 | 1 |
| 4 | 202703-0-10 | 1 |
| 5 | 202300-0-10 | 1 |
| 6 | 202769-2-00 | 1 |
| 7 | 202772-2-10 | 1 |
| 8 | 742811-0-00 | 1 |
| 9 | 721443-2-00 | 1 |
| 10 | 202767-4-10 | 1 |
| 11 | 209590-0-00 | 1 |
| 12 | 733504-2-00 | 1 |
| 13 | 203525-0-11 | 1 |
| 14 | 207015-2-00 | 1 |
| 15 | 207992-0-01 | 1 |
| 16 | 207998-2-00 | 1 |
| 17 | 209347-0-00 | 1 |
| 18 | 209349-0-00 | 1 |
| 19 | 209350-0-00 | 2 |
| 20 | 741552-0-00 | 2 |
| 21 | 745812-2-00 | 1 |

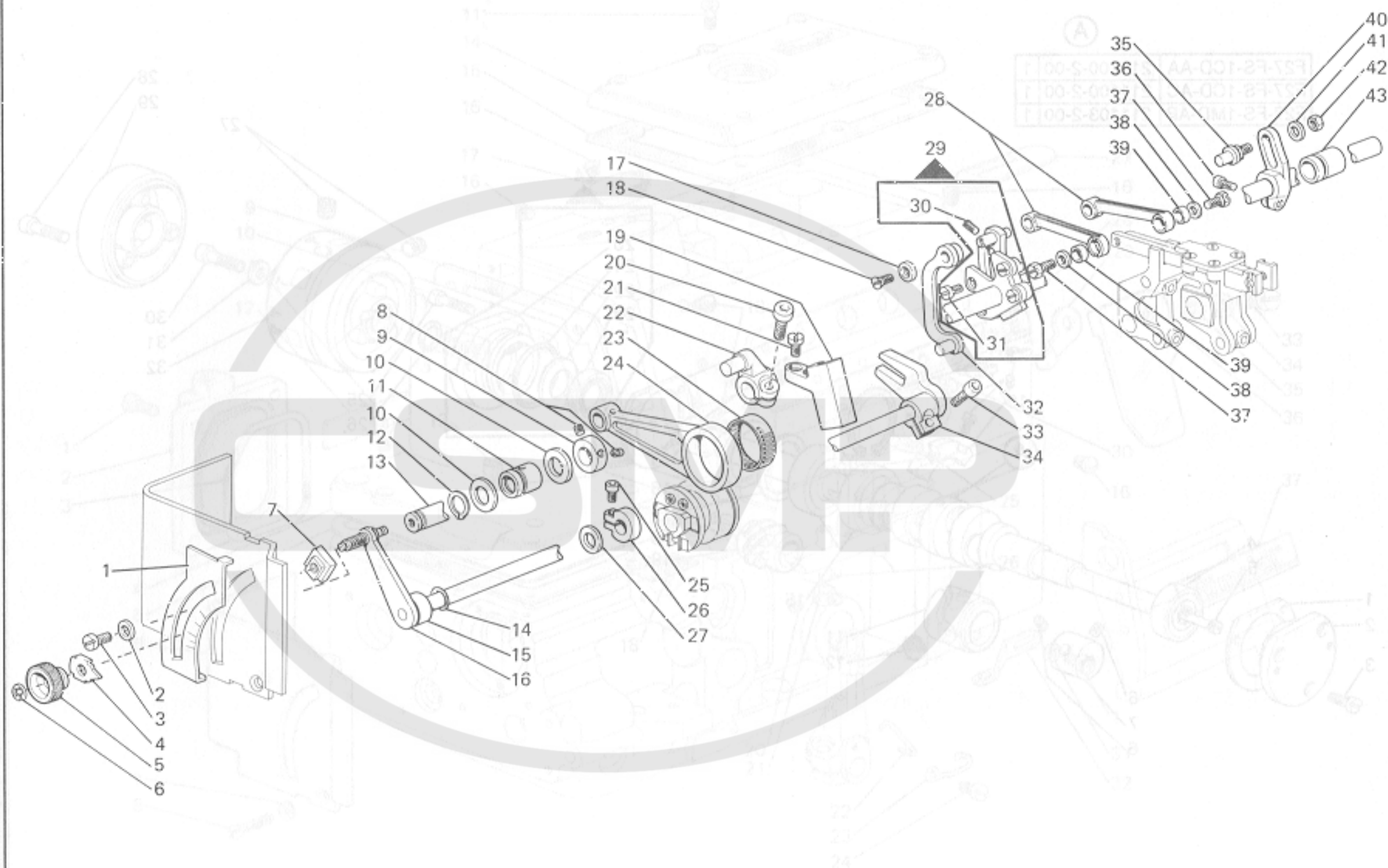
SOLO I PEZZI DI RICAMBIO ORIGINALI RIMOLDI GARANTISCONO LA FUNZIONALITA', DURABILITA' E LA DURATA DELLA VITA.
 RIMOLDI ORIGINAL PARTS ARE THE ONLY PARTS WHICH GUARANTEE FUNCTIONALITY, DURABILITY AND LONG LIFE.
 EXCLUSIVEMENT LES PIECES DE RECHANGE ORIGINALES RIMOLDI GARANTISSENT LA CHANGEABILITE, UN CARACTERE FONCTIONNEL, UNE DUREE EFFICACE.
 NUR DIE MIT RIMOLDI LIEFERBAREN RIMOLDI-ORIGINALERSATZTEILE GARANTIEREN AUSTAUSCHBARKEIT, ZWECKENTSPRECHENDHEIT, LEBENSDAUER.
 SOLO EL EMPLEO EXCLUSIVO DE REPUESTOS RIMOLDI MARCADOS RIMOLDI ASEGURAN LA CALIDAD DE INTERCAMBIO, LA FUNCIONALIDAD Y LA DURACION.

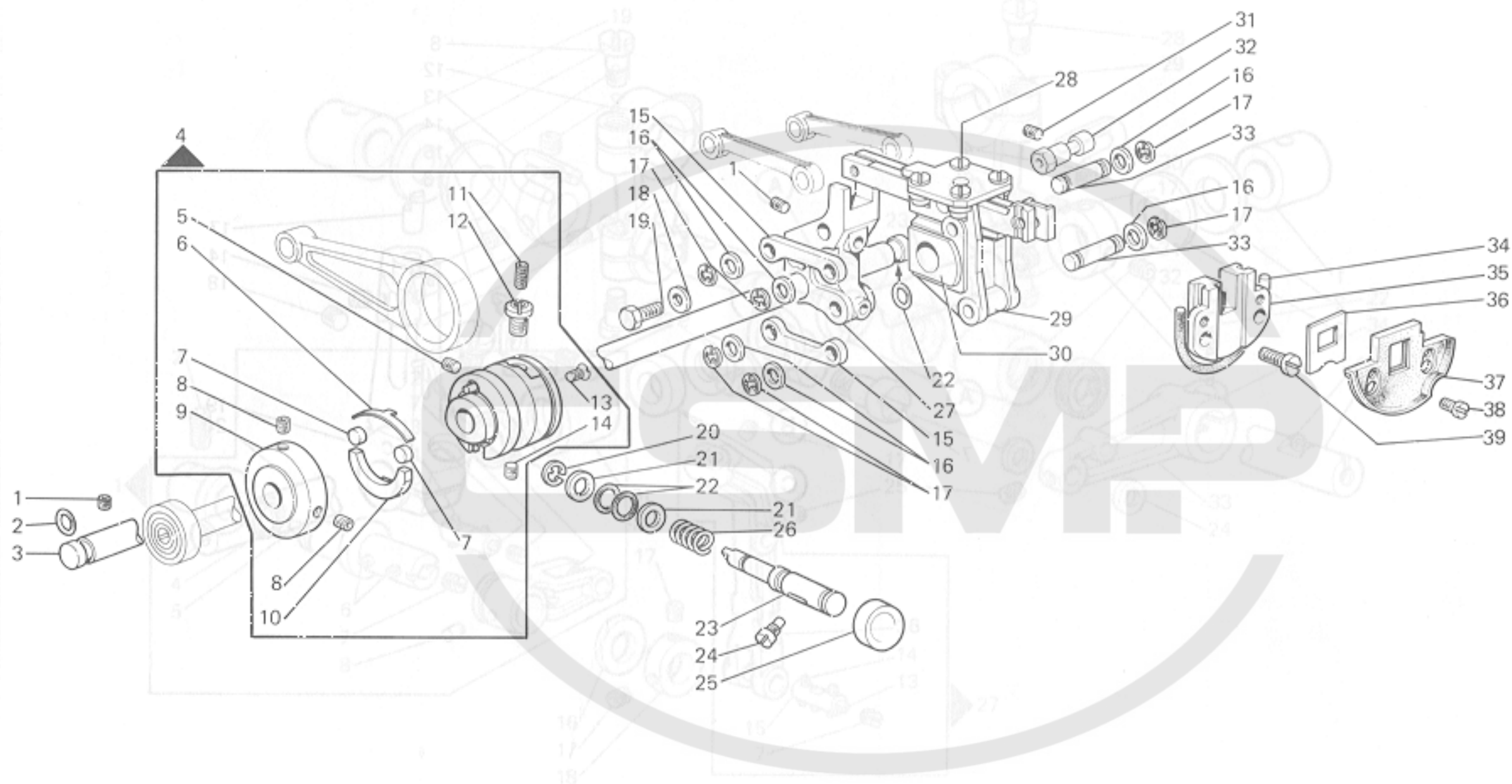
La Rimoldi S.r.l. si riserva il diritto di modificare o variare, per motivi di ordine tecnico e commerciale, i dati riportati nella presente pubblicazione.
 Rimoldi S.r.l. reserves the right to modify or vary, for technical or commercial reasons, the information printed in this brochure.
 Rimoldi S.r.l. se réserve le droit de modifier ou de varier, pour motifs techniques ou commerciaux, les données publiées dans la présente publication.
 Rimoldi S.r.l. behält sich das Recht vor, aus technischen oder handelsrechtlichen Gründen die Angaben in dieser Broschüre zu ändern.
 Rimoldi S.r.l. se reserva el derecho de modificar o variar, por motivos técnicos o comerciales, los datos aquí publicados.



All RIGHTS RESERVED. Reproduction in whole or in part without the written permission of Rimoldi S.r.l. is prohibited.
 ALL RIGHTS RESERVED. Toute reproduction, entière ou partielle, sans la permission écrite de Rimoldi S.r.l. est interdite.
 VERBODEN HET RECHT. Reproductie van het geheel of gedeelte van deze brochure zonder schriftelijke toestemming van Rimoldi S.r.l. is niet toegestaan.
 VERBODEN HET RECHT. Reproductie van het geheel of gedeelte van deze brochure zonder schriftelijke toestemming van Rimoldi S.r.l. is niet toegestaan.

| Fig. N. | Part. N. / Piece N. | Qt. |
|---------|---------------------|-----|
| 1 | 209693-0-00 | 1 |
| 2 | 704409-2-00 | 2 |
| 3 | 721475-2-00 | 2 |
| 4 | 206796-0-00 | 1 |
| 5 | 206798-0-00 | 1 |
| 6 | 700207-0-00 | 1 |
| 7 | 211612-0-01 | 2 |
| 8 | 729013-2-00 | 2 |
| 9 | 313060-2-00 | 1 |
| 10 | 704853-0-00 | 2 |
| 11 | 211406-0-00 | 1 |
| 12 | 700012-0-00 | 1 |
| 13 | 211405-0-00 | 1 |
| 14 | 701007-0-00 | 1 |
| 15 | 209411-0-00 | 1 |
| 16 | 209408-2-00 | 1 |
| 17 | 207719-0-00 | 1 |
| 18 | 724032-0-00 | 1 |
| 19 | 209402-0-00 | 1 |
| 20 | 744334-2-00 | 1 |
| 21 | 741967-2-00 | 2 |
| 22 | 211382-2-00 | 1 |
| 23 | 202384-0-10 | 1 |
| 24 | 209330-0-00 | 1 |
| 25 | 741745-2-00 | 1 |
| 26 | 100620-2-10 | 1 |
| 27 | 704829-0-00 | 1 |
| 28 | 209400-0-00 | 2 |
| 29 | 211394-3-00 | 1 |
| 30 | 745827-2-00 | 2 |
| 31 | 741936-2-00 | 4 |
| 32 | 209401-2-01 | 1 |
| 33 | 722422-2-00 | 1 |
| 34 | 209403-2-00 | 1 |
| 35 | 209388-0-01 | 1 |
| 36 | 744332-2-00 | 1 |
| 37 | 202490-0-10 | 2 |
| 38 | 705208-0-00 | 2 |
| 39 | 202032-0-11 | 2 |
| 40 | 211387-2-00 | 1 |
| 41 | 704306-2-00 | 1 |
| 42 | 733806-2-00 | 1 |
| 43 | 211407-0-00 | 1 |





| Fig. N. | Part. N. Piece N. | Qt. |
|---------|-------------------|-----|
| 1 | 729012-2-00 | 2 |
| 2 | 701006-0-00 | 1 |
| 3 | 211380-0-00 | 1 |
| 4 | 209448-4-11 | 1 |
| 5 | 745815-2-00 | 1 |
| 6 | 209471-0-00 | 1 |
| 7 | 209442-0-00 | 2 |
| 8 | 745812-2-00 | 2 |
| 9 | 209445-2-02 | 1 |
| 10 | 209443-0-10 | 1 |
| 11 | 729031-2-00 | 1 |
| 12 | 211444-0-00 | 1 |
| 13 | 724430-2-00 | 4 |
| 14 | 728232-0-00 | 1 |
| 15 | 209376-0-00 | 4 |
| 16 | 703802-0-00 | 8 |
| 17 | 700005-0-00 | 8 |
| 18 | 704409-2-00 | 1 |
| 19 | 740087-2-00 | 1 |
| 20 | 700208-0-00 | 1 |
| 21 | 704314-2-00 | 1 |
| 22 | 701004-0-00 | 3 |
| 23 | 209447-0-02 | 1 |
| 24 | 350555-0-00 | 1 |
| 25 | 209449-0-00 | 1 |
| 26 | 202408-0-10 | 1 |
| 27 | 209378-0-00 | 1 |
| 28 | 741936-2-00 | 4 |
| 29 | 211427-3-00 | 1 |
| 30 | 211375-0-00 | 1 |
| 31 | 729033-2-00 | 1 |
| 32 | 209379-0-00 | 1 |
| 33 | 321055-0-00 | 4 |
| 34 | 207948-0-00 | 1 |
| 35 | 211381-0-00 | 1 |
| 36 | 211385-0-00 | 1 |
| 37 | 211386-2-00 | 1 |
| 38 | 741611-2-00 | 2 |
| 39 | 722063-2-00 | 2 |

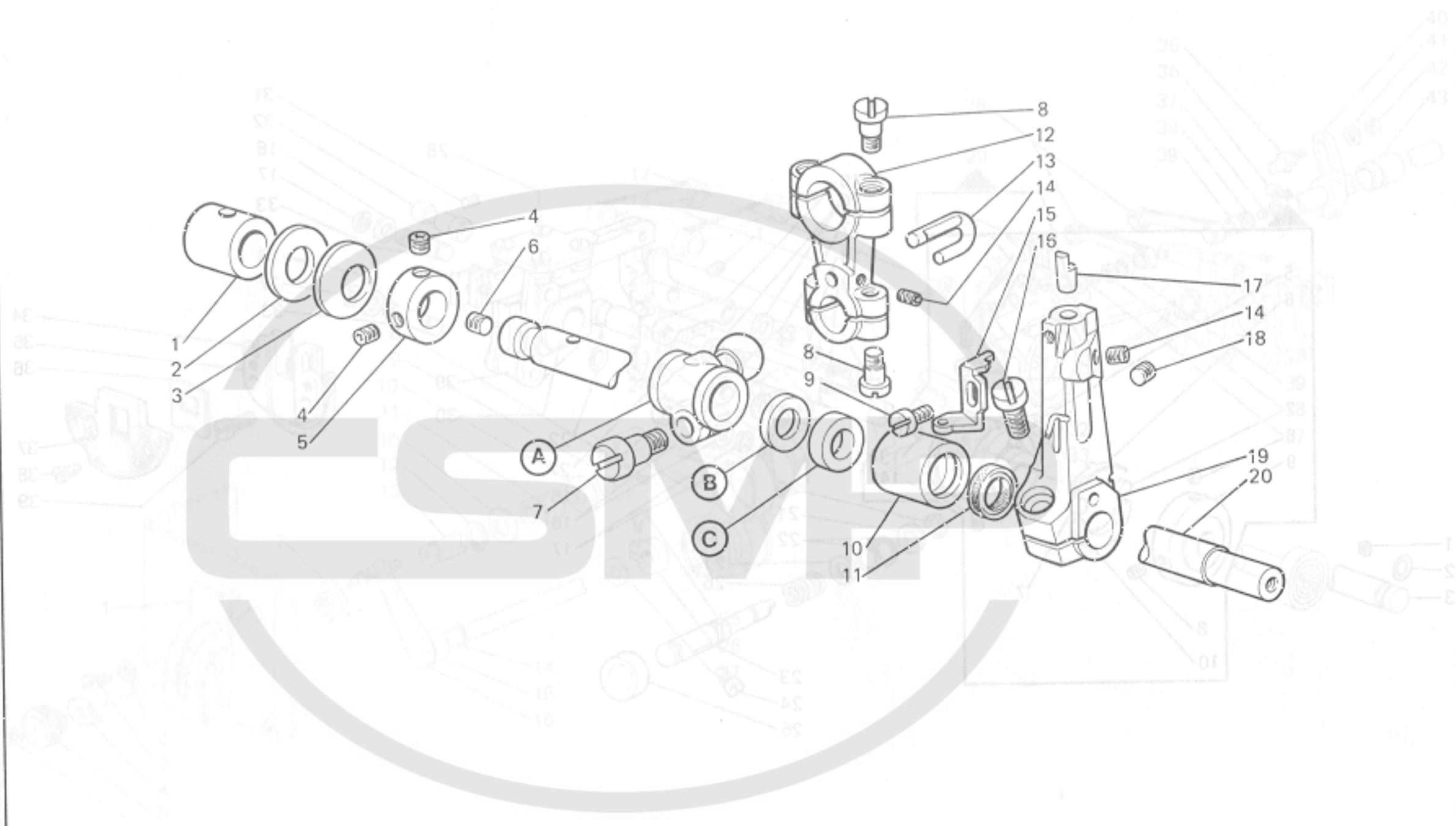
(A)

| | | |
|---------------|-------------|---|
| F27-FS-10D-AA | 211220-2-00 | 1 |
| F27-FS-10D-AC | 211219-2-00 | 1 |
| F27-FS-10D-AB | 211218-2-00 | 1 |

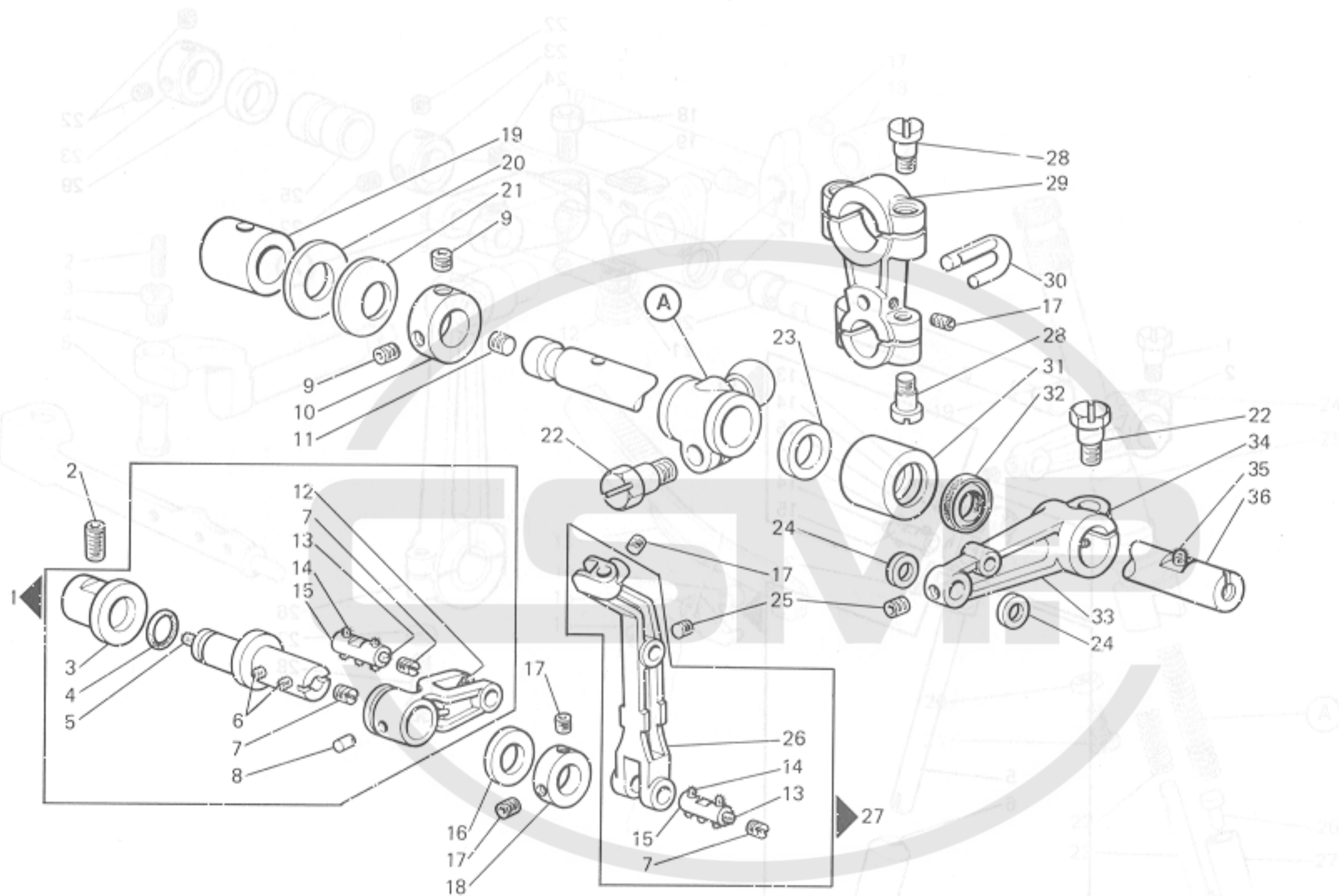
(C) (B) (A)

| | | |
|---------------|-------------|---|
| F27-FS-10D-AA | 211220-2-00 | 1 |
| F27-FS-10D-AC | 211219-2-00 | 1 |
| F27-FS-10D-AB | 211218-2-00 | 1 |

| Fig. N. | Part. N. / Piece N. | Qt. |
|---------|---------------------|-----|
| 1 | 211209-0-01 | 1 |
| 2 | 705036-0-00 | 1 |
| 3 | 211281-0-00 | 1 |
| 4 | 729013-2-00 | 2 |
| 5 | 313060-2-00 | 1 |
| 6 | 727036-2-00 | 1 |
| 7 | 201128-0-10 | 1 |
| 8 | 722089-2-00 | 4 |
| 9 | 741415-2-00 | 1 |
| 10 | 211253-0-01 | 1 |
| 11 | 311166-0-00 | 1 |
| 12 | 209270-2-02 | 1 |
| 13 | 209272-0-00 | 1 |
| 14 | 745812-2-00 | 2 |
| 15 | 208015-0-00 | 1 |
| 16 | 721883-0-00 | 1 |
| 17 | 209258-0-00 | 1 |
| 18 | 745810-2-00 | 1 |
| 19 | 211250-2-00 | 1 |
| 20 | 211276-2-10 | 1 |



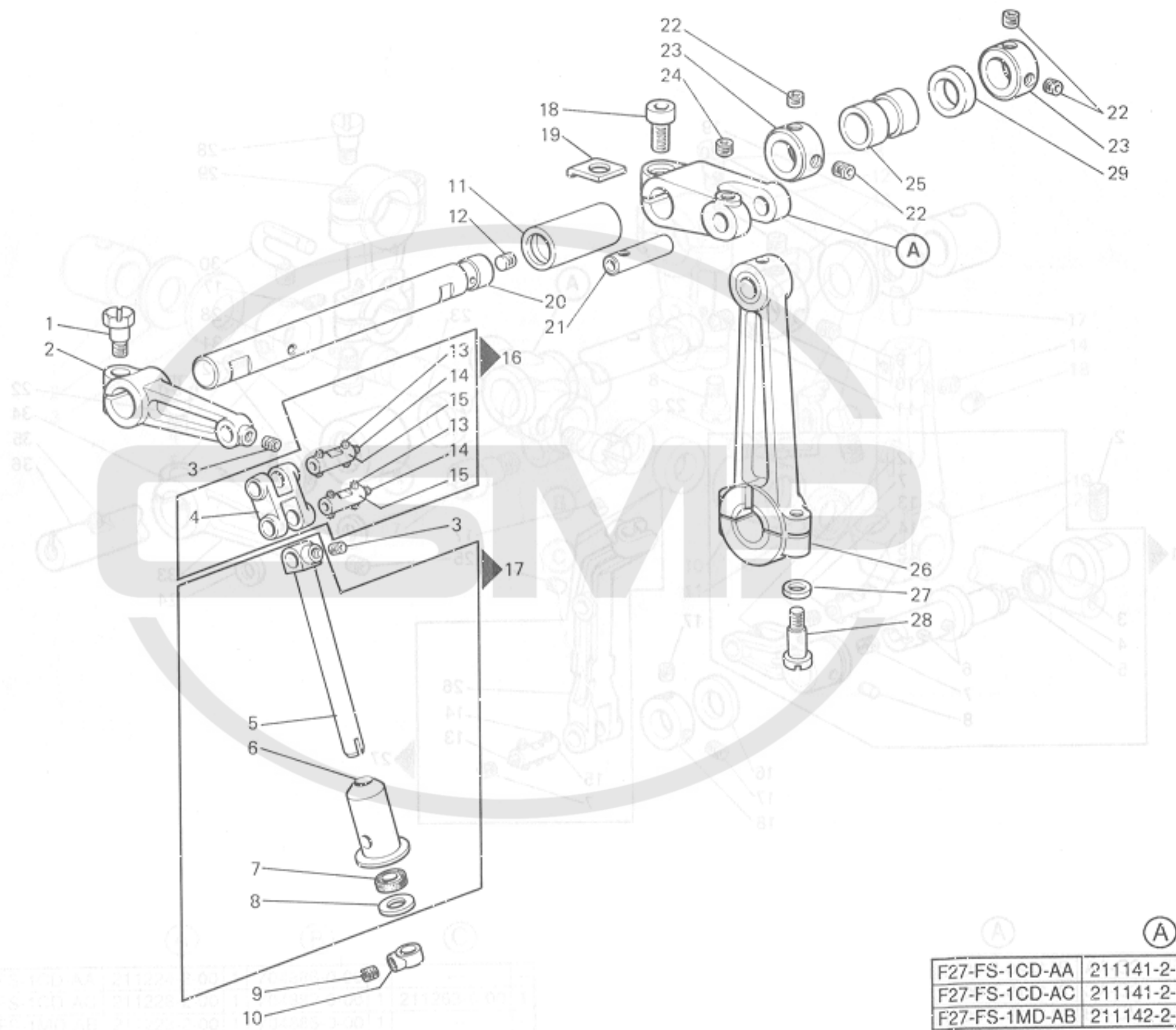
| | (A) | (B) | (C) |
|---------------|---------------|---------------|---------------|
| F27-FS-1CD-AA | 211224-2-00 1 | 704886-0-00 1 | --- |
| F27-FS-1CD-AC | 211228-2-00 1 | 704882-0-00 1 | 211263-0-00 1 |
| F27-FS-1MD-AB | 211223-2-00 1 | 704885-0-00 1 | --- |



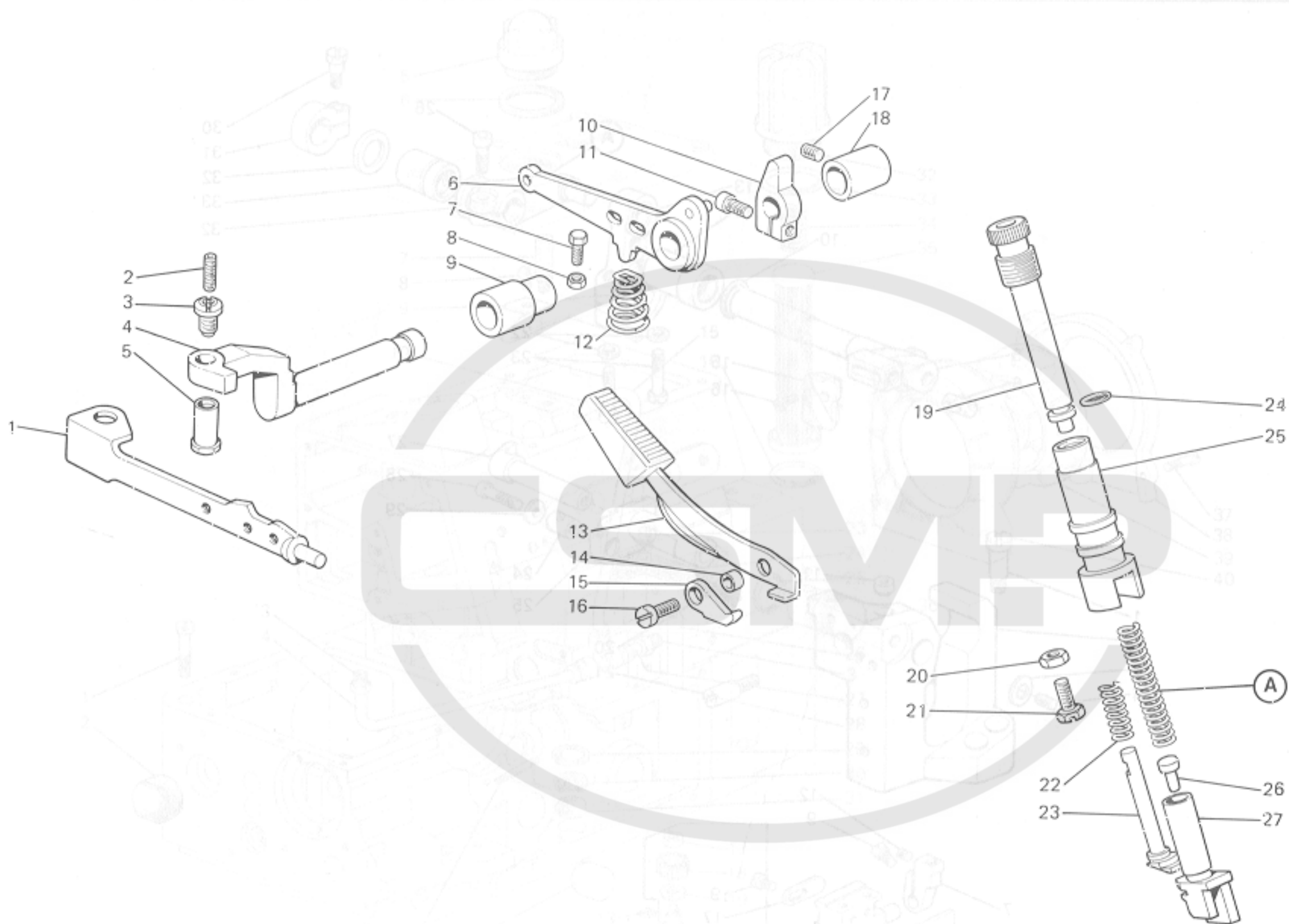
| Fig. N. | Part. N. Piece N. | Qt. |
|---------|-------------------|-----|
| 1 | 211245-3-00 | 1 |
| 2 | 729064-2-00 | 1 |
| 3 | 211239-0-00 | 1 |
| 4 | 701005-0-00 | 1 |
| 5 | 778411-0-00 | 1 |
| 6 | 778204-0-00 | 4 |
| 7 | 745002-0-00 | 2 |
| 8 | 310724-0-00 | 1 |
| 9 | 729013-2-00 | 2 |
| 10 | 313060-2-00 | 1 |
| 11 | 727036-2-00 | 1 |
| 12 | 778503-0-00 | 1 |
| 13 | 778403-0-00 | 2 |
| 14 | 778202-0-00 | 10 |
| 15 | 211208-4-00 | 2 |
| 16 | 704873-0-00 | 1 |
| 17 | 745812-2-00 | 4 |
| 18 | 211241-2-00 | 1 |
| 19 | 211209-0-01 | 1 |
| 20 | 705036-0-00 | 1 |
| 21 | 211281-0-00 | 1 |
| 22 | 201126-0-10 | 2 |
| 23 | 704882-0-00 | 1 |
| 24 | 211213-0-00 | 2 |
| 25 | 745810-2-00 | 2 |
| 26 | 211202-0-00 | 1 |
| 27 | 211214-3-00 | 1 |
| 28 | 722089-2-00 | 4 |
| 29 | 209270-2-02 | 1 |
| 30 | 209272-0-00 | 1 |
| 31 | 211253-0-01 | 1 |
| 32 | 311166-0-00 | 1 |
| 33 | 211207-2-00 | 1 |
| 34 | 778419-0-00 | 1 |
| 35 | 778208-0-00 | 1 |
| 36 | 211280-4-10 | 1 |

| A | | |
|---------------|-------------|---|
| F27-FS-1CD-AA | 211220-2-00 | 1 |
| F27-FS-1CD-AC | 211219-2-00 | 1 |
| F27-FS-1MD-AB | 211218-2-00 | 1 |

| Fig. N. | Part. N. Piece N. | Qt. |
|---------|-------------------|-----|
| 1 | 201128-0-10 | 1 |
| 2 | 211115-2-00 | 1 |
| 3 | 745810-2-00 | 2 |
| 4 | 211116-0-00 | 1 |
| 5 | 211114-0-00 | 1 |
| 6 | 211112-0-00 | 1 |
| 7 | 211110-0-00 | 1 |
| 8 | 211111-0-00 | 1 |
| 9 | 745812-2-00 | 1 |
| 10 | 211125-0-00 | 1 |
| 11 | 211119-0-00 | 1 |
| 12 | 727036-2-00 | 1 |
| 13 | 778204-0-00 | 8 |
| 14 | 778445-0-00 | 2 |
| 15 | 211129-4-00 | 2 |
| 16 | 211132-3-00 | 1 |
| 17 | 211109-4-00 | 1 |
| 18 | 744334-2-00 | 1 |
| 19 | 209153-0-00 | 1 |
| 20 | 211113-0-00 | 1 |
| 21 | 209143-0-01 | 1 |
| 22 | 729013-2-00 | 4 |
| 23 | 313060-2-00 | 2 |
| 24 | 730022-2-00 | 1 |
| 25 | 211117-0-00 | 1 |
| 26 | 211106-2-00 | 1 |
| 27 | 704213-2-00 | 2 |
| 28 | 722149-2-00 | 2 |
| 29 | 704853-0-00 | 1 |
| 1 | 00-0-575605 | 00 |
| 1 | 10-0-625115 | 10 |
| 1 | 00-0-831110 | 00 |
| 1 | 00-0-511301 | 00 |
| 1 | 00-0-814877 | 00 |
| 1 | 00-0-802877 | 00 |
| 1 | 01-4-085115 | 00 |



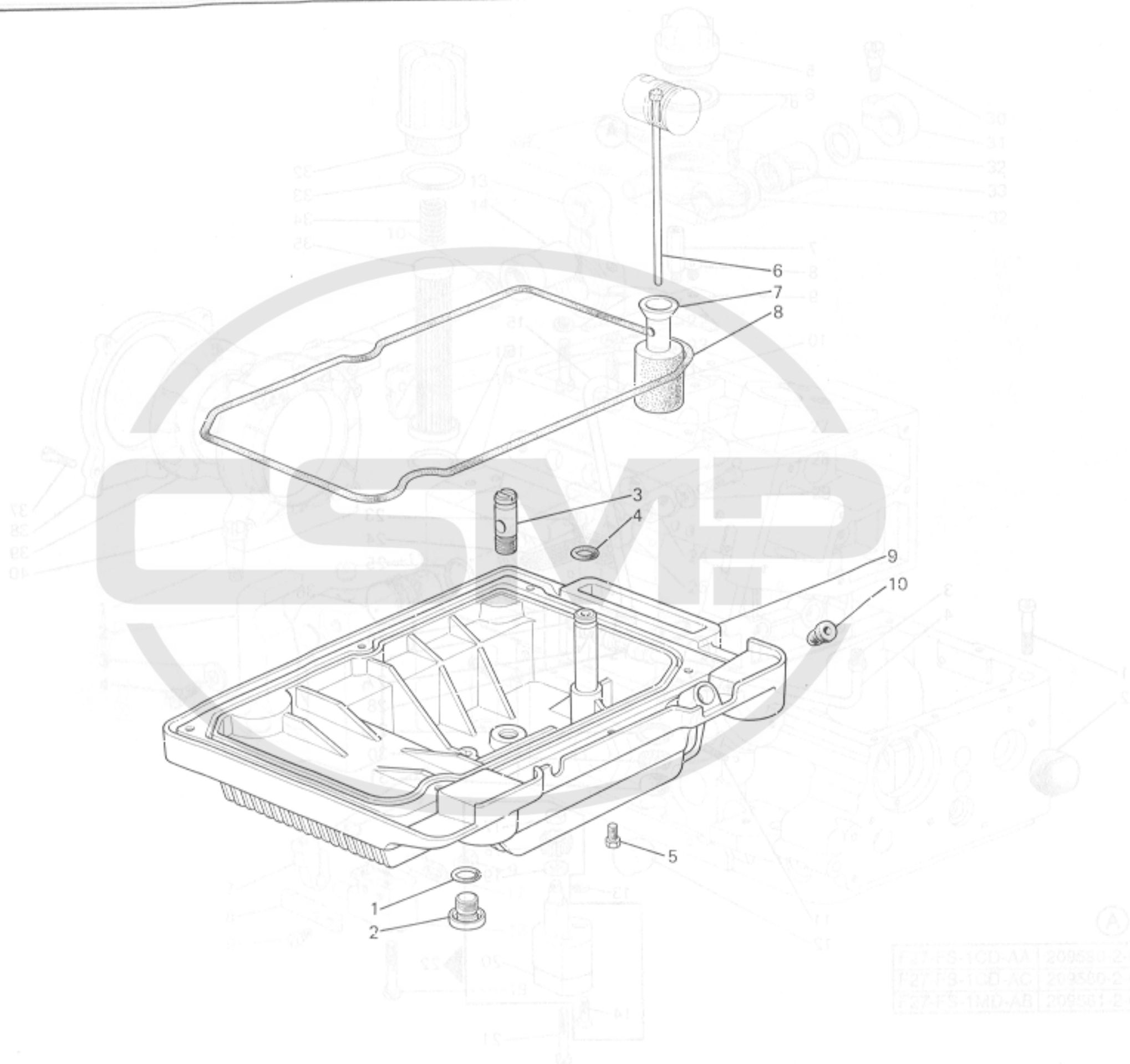
| | (A) | (A) |
|---------------|-------------|-----|
| F27-FS-1CD-AA | 211141-2-00 | 1 |
| F27-FS-1CD-AC | 211141-2-00 | 1 |
| F27-FS-1MD-AB | 211142-2-00 | 1 |



| Fig. N. | Part. N. Piece N. | Qt. |
|---------|-------------------|-----|
| 1 | 209510-0-00 | 1 |
| 2 | 729031-2-00 | 1 |
| 3 | 202529-0-10 | 1 |
| 4 | 209500-0-10 | 1 |
| 5 | 206622-0-00 | 1 |
| 6 | 209501-0-11 | 1 |
| 7 | 740087-2-00 | 1 |
| 8 | 746021-2-00 | 1 |
| 9 | 209503-0-10 | 1 |
| 10 | 209522-2-00 | 1 |
| 11 | 740277-2-00 | 1 |
| 12 | 209521-0-00 | 1 |
| 13 | 209524-2-00 | 1 |
| 14 | 206637-0-00 | 1 |
| 15 | 206635-0-00 | 1 |
| 16 | 722421-2-00 | 1 |
| 17 | 745812-2-00 | 1 |
| 18 | 209504-0-10 | 1 |
| 19 | 211061-0-00 | 1 |
| 20 | 745007-2-00 | 1 |
| 21 | 202214-0-11 | 1 |
| 22 | 926273-0-01 | 1 |
| 23 | 207959-0-00 | 1 |
| 24 | 701006-0-00 | 1 |
| 25 | 211060-0-00 | 1 |
| 26 | 207626-0-00 | 1 |
| 27 | 207625-0-00 | 1 |
| 28 | 00-0-00000 | 00 |
| 29 | 00-0-00000 | 00 |
| 30 | 00-0-00000 | 00 |
| 31 | 00-0-00000 | 00 |
| 32 | 00-0-00000 | 00 |
| 33 | 00-0-00000 | 00 |
| 34 | 00-0-00000 | 00 |
| 35 | 00-0-00000 | 00 |
| 36 | 00-0-00000 | 00 |
| 37 | 00-0-00000 | 00 |
| 38 | 00-0-00000 | 00 |
| 39 | 00-0-00000 | 00 |
| 40 | 00-0-00000 | 00 |

| A | | |
|---------------|-------------|---|
| F27-FS-1CD-AA | 203142-0-10 | 1 |
| F27-FS-1CD-AC | 203142-0-10 | 1 |
| F27-FS-1MD-AB | 205021-0-10 | 1 |

| Fig. N. | Part. N. Piece N. | Qt. |
|---------|-------------------|-----|
| 1 | 701015-0-00 | 1 |
| 2 | 321206-0-00 | 1 |
| 3 | 209615-0-01 | 1 |
| 4 | 701006-0-00 | 1 |
| 5 | 720411-2-00 | 1 |
| 6 | 209624-0-11 | 1 |
| 7 | 206665-2-00 | 1 |
| 8 | 211013-0-00 | 1 |
| 9 | 209048-3-10 | 1 |
| 10 | 211675-0-00 | 1 |
| 11 | 00-0-015825 | 1 |
| 12 | 00-0-015825 | 1 |
| 13 | 00-0-015825 | 1 |
| 14 | 00-0-015825 | 1 |
| 15 | 00-0-015825 | 1 |
| 16 | 00-0-015825 | 1 |
| 17 | 00-0-015825 | 1 |
| 18 | 00-0-015825 | 1 |
| 19 | 00-0-015825 | 1 |
| 20 | 00-0-015825 | 1 |
| 21 | 00-0-015825 | 1 |
| 22 | 00-0-015825 | 1 |
| 23 | 00-0-015825 | 1 |
| 24 | 00-0-015825 | 1 |
| 25 | 00-0-015825 | 1 |
| 26 | 00-0-015825 | 1 |
| 27 | 00-0-015825 | 1 |
| 28 | 00-0-015825 | 1 |
| 29 | 00-0-015825 | 1 |
| 30 | 00-0-015825 | 1 |
| 31 | 00-0-015825 | 1 |
| 32 | 00-0-015825 | 1 |
| 33 | 00-0-015825 | 1 |
| 34 | 00-0-015825 | 1 |
| 35 | 00-0-015825 | 1 |
| 36 | 00-0-015825 | 1 |
| 37 | 00-0-015825 | 1 |
| 38 | 00-0-015825 | 1 |
| 39 | 00-0-015825 | 1 |
| 40 | 00-0-015825 | 1 |



| | | |
|---------------|-------------|---|
| F27-FS-1CD-AA | 209590-2-01 | 1 |
| F27-FS-1CD-AC | 209586-2-01 | 1 |
| F27-FS-1MD-AB | 209581-2-01 | 1 |